

**MAX SPACE.
MAX SAFETY.
MAX EFFICIENCY.**



Loading
Systems



EH00001

**User Manual for the
EasyLoad 250**


MAD

Wiltonstraat 53
3095 KW Veenendaal
The Netherlands

T +31 (0) 318 586 100
mad-loadingsystems.com
info@mad-automotive.com

Version: United States 02

Contents

1	Introduction	3
1.1	Origin and year of manufacture	3
1.2	Overview	3
2	 Safety.....	3
2.1	General safety instructions	3
2.2	Safety instructions when lifting.....	4
2.3	Emergency stop	4
2.4	Maintenance and inspection	4
2.5	Safety symbols on the EasyLoad.....	5
2.6	Workspace	5
3	Operation	5
3.1	Sliding the load/hook in and out.....	5
3.2	Raising and lowering the load/hook.....	6
3.3	Emergency stop	6
4	Instructions for loading and unloading.....	6
5	Electrical connections	6
5.1	Power supply.....	6
5.2	Control unit.....	6
6	Technical specifications.....	7
7	Troubleshooting	9
8	Guarantee conditions.....	11
9	Annual maintenance history	12
10	CE Declaration of conformity	13

1 Introduction



Congratulations on the purchase of your EasyLoad. The EasyLoad enables you to easily and safely load and unload your vehicle. For its installation, we recommend employing a recognised installation company and the use of the 'EasyLoad installation instructions'.



Read the manual through carefully before taking the product into use.

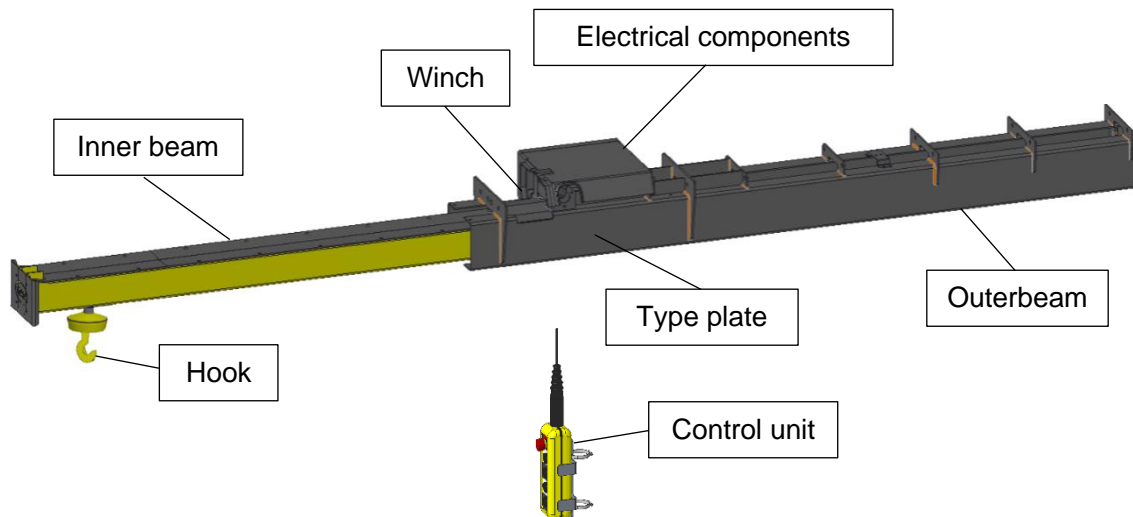
1.1 Origin and year of manufacture

Each EasyLoad is provided with the following sticker which contains a unique serial number:

		MAD Holding BV Veenendaal The Netherlands	
www.mad-easyload.com			
EasyLoad			
Type	EL-250-XXXXXX	VDC	12
No	69XXXX	kW	1.2
Year	20XX	A	100
Patent	NL-1014332 EP-1123893		

The sticker is located on the right-hand side of the outer beam.

1.2 Overview



2 Safety

2.1 General safety instructions

- Read all instructions carefully before use.
- The EasyLoad must be installed by an authority with sufficient expertise and in accordance with the installation manual provided.
- Note! The EasyLoad has been developed for use in a van, in combination with the specially developed mounting frame. All other applications are outside of the responsibility of MAD.
- MAD is not responsible for the suspension of the EasyLoad to any mounting frame other

than the one supplied by MAD.

- Before each use, check the EasyLoad visually for irregularities (kinked cables/damage etc.). If in doubt, contact the supplier.
- Do not use the EasyLoad if it is seriously damaged.
- If a defect or unsafe situation is found, do not use the EasyLoad and have it repaired by a person with the relevant expertise.
- Have any repairs and maintenance carried out by a person with the relevant expertise in the field of hoisting.
- Applying changes and additions is not allowed without prior written permission from MAD.
- Wear sturdy gloves when gripping the steel cable.
- When driving, the EasyLoad must be fully retracted and locked.
- Do not expose the EasyLoad to water.
- Do not expose the EasyLoad to chemical agents.
- Always lock the EasyLoad after use with both index bolts.
- In the event that the EasyLoad is resold outside the original country, the user and installation manual must be provided in the language of the country where the EasyLoad is used.
- It is recommended to mark the EasyLoad with the date of the next or last inspection.

2.2 Safety instructions when lifting

- The hoisting hook of the EasyLoad may not be used for other purposes than loading or unloading a vehicle.
- Always have the hoisting cable powered in order to prevent the cable from running off or kinking.
- Only use approved hoisting equipment (straps, hooks, chains etc.).
- Do not touch the load or the steel cable while hoisting or lowering.
- When using the EasyLoad, no parts of the body may be under the load.
- Never lift more than 550 lbs.
- Lifting people is forbidden.
- Only lift vertically.
- Avoid excessive swinging of the load.
- Stop lifting as soon as there is an indication of a twisted hoisting cable, overload or other faults.
- Never drive the vehicle while a load is suspended in the EasyLoad.
- Always secure the load properly before driving.
- Do not attach the load to the EasyLoad or the frame.
- Always put the hoisting hook at the top position after use. Swinging of the hoisting hook may cause damage to the vehicle or the load.

2.3 Emergency stop

Pressing the emergency stop cuts the power to the EasyLoad (it is then dead). The emergency stop can be deactivated by turning the emergency stop switch to the right.

2.4 Maintenance and inspection

In principle, the EasyLoad is maintenance-free. However, an annual inspection must be carried out by a competent authority. The safety of users depends on the efficiency and durability of the EasyLoad. On page 12 you will find a maintenance card on which the annual maintenance can be stamped.

2.5 Safety symbols on the EasyLoad



Suspended loads



Risk of crushing



Safety footwear mandatory



Observe user instructions

250kg
550lbs

Maximum load 550lbs

Regularly check that the markings are still legible. If this is not the case, replace the marking.

2.6 Workspace



Ensure that the vehicle is unable to roll and that the slope is no more than 3°. Use the handbrake and/or put the vehicle in gear or in the parking brake position. The workplace is right behind the vehicle, fully open both rear doors to prevent damage. If you leave the engine running in order to recharge the battery, then ensure that this is done in a well-ventilated environment.



Do not operate the EasyLoad while securing or releasing the load. Moreover, ensure that other persons are not endangered when sliding the beam in or out.

3 Operation

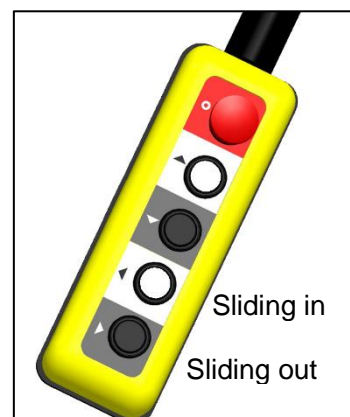
Opening the rear doors operates a switch which activates the EasyLoad. The EasyLoad can be fully controlled by the control unit, which is located in the holder on the left-hand or right-hand frame tube. The control unit is held in place by a magnet, and can be easily pulled out of the holder.

3.1 Sliding the load/hook in and out

The bottom two buttons of the control unit are for sliding the inner beam in or out respectively. Operation is possible only when the load/hook is not in the upper position.

The load/hook can be moved out by pressing the right-arrow button on the control unit. When the button is released, sliding out stops. At the end of the stroke, a slip-action clutch is activated. Do not hold the button pressed unnecessarily long to prevent damage.

The load/hook can be moved in by pressing the left-arrow button. When the button is released, sliding in stops. At the end of the stroke, a slip-action clutch is activated. Do not hold the button pressed unnecessarily long to prevent damage.

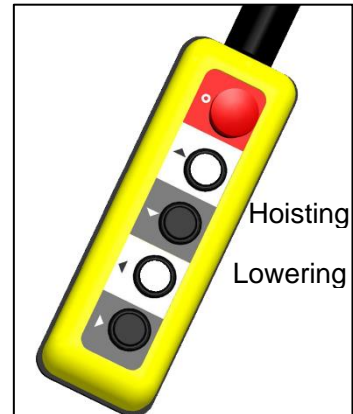


3.2 Raising and lowering the load/hook

Pressing the button with the up-arrow will raise the load. Once the hoisting hook reaches the inner beam, it will automatically deactivate. Further hoisting will then be impossible.

Pressing the button with the down-arrow will lower the load. Lowering is limited in order to prevent the cable from fully unwinding.

The EasyLoad is fitted with an overload protection to prevent weights heavier than 550 lbs from being lifted. When lifting a load that is too heavy, the EasyLoad will initially start hoisting but will stop lifting as soon as the load is gripped fully in the hook. The load can then only be lowered. Once the excess weight has been removed, the EasyLoad can be operated as usual.

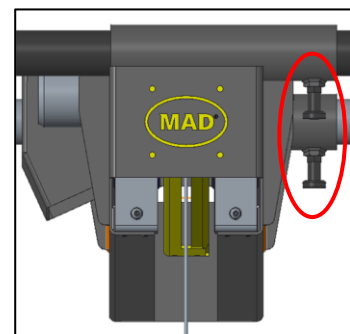


3.3 Emergency stop

If the emergency stop is pressed, all functions will be immediately blocked and hoisting, lowering or sliding in or out will be stopped. All functions can be activated once more by turning the emergency stop button clockwise.

4 Instructions for loading and unloading

1. Ensure that the load is immediately below the EasyLoad.
2. Bring the hoisting hook above the load that is to be lifted.
3. Secure the hoisting hook to the load, if necessary use suitable hoisting equipment.
4. Ensure that the load cannot tilt while lifting.
5. Hoist the load upwards such that the lowest point of the load is situated above the loading floor of the vehicle.
6. Slide the load in or out using the control unit.
7. Lower the load until the hoisting cable is loose enough to release the hoisting hook.
8. After use, slide the beam fully inwards and put the hoisting hook at the highest position. This may be done simultaneously.
9. Always lock the EasyLoad after use with both index bolts.
10. Remove any hoisting equipment.



5 Electrical connections

5.1 Power supply

The EasyLoad can be directly connected to the vehicle's battery. To prevent the battery from being continuously loaded, a switch has been incorporated into the circuit that is activated by the EasyLoad as soon as the rear doors are closed.

The power cable is connected to the EasyLoad by means of the grey 2-pin plug. The red plus wire is protected by a 150A fuse immediately adjacent to the battery.

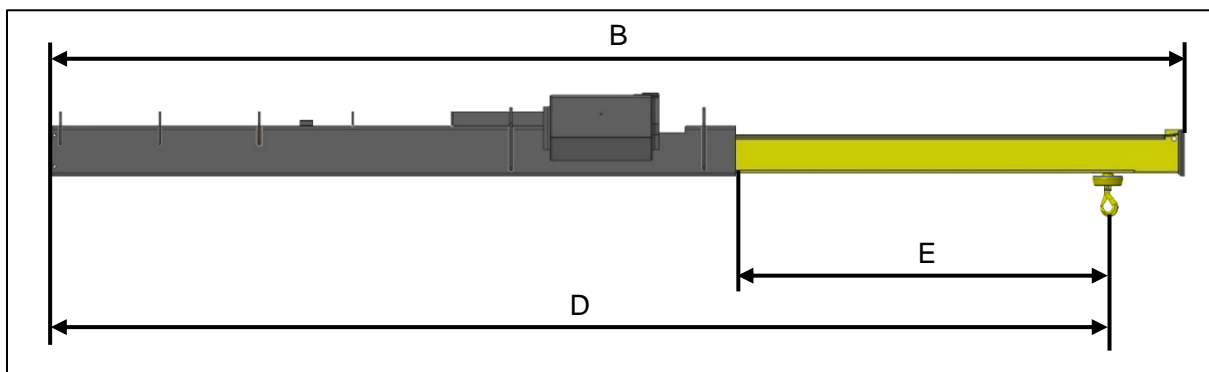
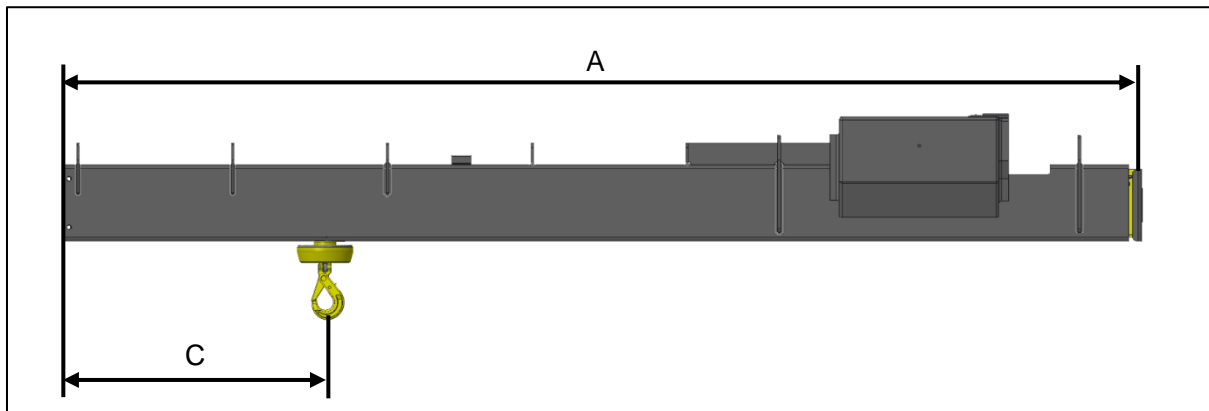
The EasyLoad's control electronics are protected by a 15A and a 30A fuse. These are located on the left next to the outer beam under the cover.

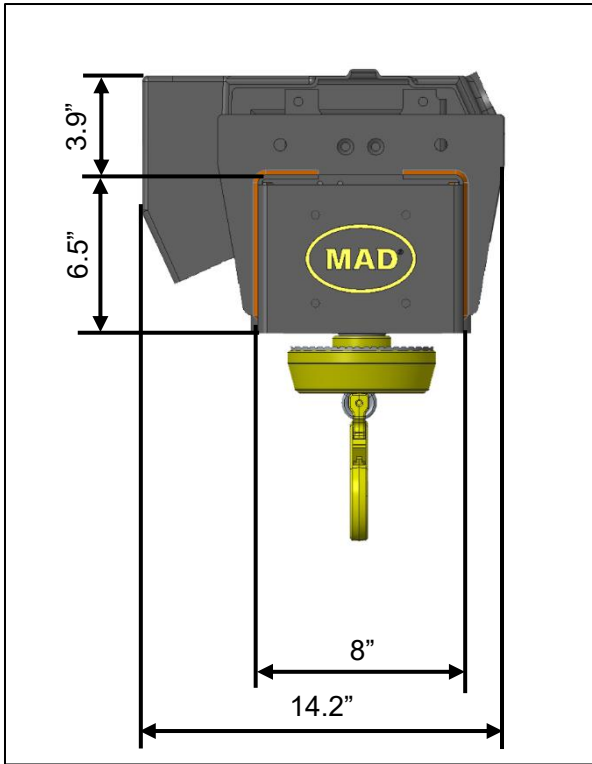
5.2 Control unit

The control unit can be stored in the corresponding bracket. The connection with the EasyLoad is made by using the 7-pole plug in the socket to the right on top of the EasyLoad.

6 Technical specifications

		EL-250-1xx	EL-250-2xx	
Length when retracted	A	72	87.8	inch
Length when extended	B	127.2	143	inch
Distance hook – front of EasyLoad when retracted	C	24	24	inch
Distance hook – front of EasyLoad when extended	D	102.8	134.3	inch
Distance hook retracted versus extended	D-C	78.7	110.2	inch
Maximum reach behind the vehicle	E	31.5	47.2	inch
Height of beam in the door opening		6.3	6.3	inch
Weight		276	298	lbs
Max. hoisting capacity		550	550	lbs
Cable speed		236	236	inch /min
Voltage		12/24	12/24	V
Maximum power consumption		100	100	A





7 Troubleshooting

Problem	Possible reason	Solution
Sliding in and out is slow or difficult	Battery (almost) empty	Charge or replace the battery
	Mechanical defect	Contact a specialist
	Slip clutch slips	The vehicle is parked on a slope that is too steep (max. 3°)
	Slip clutch adjusted too lightly	Contact a specialist
Sliding in and/or out not possible	Emergency stop activated	Deactivate the emergency stop
	Control switch defective	Replace the switch
	Door switch defective or adjusted incorrectly	Re-adjust or replace the switch
	No power	Charge or replace the battery
		Check the connection of the control unit on the EasyLoad (connector next to the winch motor)
		Door switch defective or adjusted incorrectly
		Check the fuses under the black plastic cover
	Check the main fuse (100A near the battery)	
	Mechanical defect	Contact a specialist
Slip clutch slips	The vehicle is parked on a slope that is too steep (max. 3°)	
Slip clutch adjusted too lightly	Contact a specialist	
Raising and/or lowering is slow	Battery (almost) empty	Charge or replace the battery
	Mechanical defect	Contact a specialist
Raising and/or lowering is not possible	Emergency stop activated	Deactivate the emergency stop
	Control switch defective	Replace the switch
	Door switch defective or adjusted incorrectly	Re-adjust or replace the switch
	Overload protection defective or incorrectly adjusted	Contact a specialist
	The hook can only be lowered	Upper limit reached
		Too much weight on the hook, maximum 550lbs
The hook can only be raised	Lower limit reached	

	The hook cannot be lowered completely	Cut-off for the lower limit changed, contact a specialist
	The hook does not lower smoothly	Mechanical defect, contact a specialist
		Cut-off for the lower limit not adjusted correctly, contact a specialist
		Cable not wound tightly, contact a specialist
	No power	Charge or replace the battery
		Check the connection of the control unit on the EasyLoad (connector next to the winch motor)
		Door switch defective or adjusted incorrectly
		Check the fuses under the black plastic cover
Check the main fuse (100A near the battery)		

8 Guarantee conditions

1. MAD Holding B.V., further referred to as MAD, provides a 12-month factory guarantee to the first owner on all its equipment, in this case specifically the EasyLoad, and associated original accessories, on the total construction and associated materials related to manufacture, assembly and design errors.
2. The guarantee is void if the buyer himself carries out changes in or repairs to the EasyLoad, or has the same carried out by a third party, or if the EasyLoad is used for other than normal purposes or if, in the opinion of MAD, it is used or maintained in an injudicious manner, as well as transport damage.
3. The guarantee is exclusively applicable to the delivery of newly manufactured equipment and components.
4. The guarantee is exclusively applicable if the installation of the EasyLoad and the frame comply with the installation procedure as described by MAD, EH00002.
5. The effective date of this guarantee is defined by the date of delivery to the buyer; in this case the invoice date of the MAD dealer or installation station will be leading.
6. All wear parts are excluded from this guarantee, as well as components/products that have been explicitly delivered under other guarantee conditions.
7. Accessories or components/products delivered by parties other than MAD are excluded from this guarantee.
8. The sales and purchasing conditions of the MAD equipment dealer may exclusively limit MAD's factory guarantee but may never expand the factory guarantee.
9. MAD will ensure repair or replacement of the deliverables within the guarantee period. This is understood to include the repair or replacement of defective parts, whereby the material costs and the assembly costs will exclusively be for the account of MAD. Call-out charges will not be reimbursed.
10. Defects must be notified to MAD or the buyer's supplier of the EasyLoad within a week of their occurrence. Should this not be done, then the guarantee will be cancelled.
11. MAD is entitled to replace guarantee parts by other, at least equivalent parts and/or components, if the repair costs are higher than the value of the guarantee parts.
12. If MAD decides not to repair or replace the guarantee parts, a reimbursement will be made, which will never exceed the purchase price of the delivery.
13. The liability of MAD remains limited to that stipulated in 11 and 12. With the exception of the reimbursement of damages as mentioned in 12, any other payment of damages, both direct and indirect damages, is explicitly excluded.
14. MAD becomes the owner of the replaced guarantee parts upon granting guarantee by replacement.
15. For repairs within the guarantee period, a guarantee of 3 months applies to the activities and a 12-month guarantee to the parts, with the exception of the wear parts.
16. In order to obtain the guarantee, the first buyer must offer the EasyLoad to the MAD dealer, accompanied by the purchase invoice (and if applicable the registration for the extra 12 months guarantee), or at least under the exact reference thereto.
17. Any transport costs after the establishment of the guarantee and its handling will be for the account of MAD.
18. Any defects or shortcomings do not suspend the (payment) obligations of the buyer with respect to an EasyLoad and/or accessories that has been or is to be delivered.

9 Annual maintenance history

Date of installation:	Date of inspection:
Performed by:	Performed by:
Company stamp and signature	Company stamp and signature

Date of inspection:	Date of inspection:
Performed by:	Performed by:
Company stamp and signature	Company stamp and signature

Date of inspection:	Date of inspection:
Performed by:	Performed by:
Company stamp and signature	Company stamp and signature

Date of inspection:	Date of inspection:
Performed by:	Performed by:
Company stamp and signature	Company stamp and signature

Date of inspection:	Date of inspection:
Performed by:	Performed by:
Company stamp and signature	Company stamp and signature

Date of inspection:	Date of inspection:
Performed by:	Performed by:
Company stamp and signature	Company stamp and signature



Loading
Systems

EasyLoad

10 CE Declaration of conformity

M.A.D. Holding B.V.
Wiltonstraat 53
3905 KW VEENENDAAL
The Netherlands

Declares under its own responsibility that the EasyLoad (550lbs and 1100lbs) with type number 69XXXX conforms with the Machinery Directive 2006/42/EC and the EMC directive 2004/108/EC as included in (inter)national legislation.

In the assessment of the product safety, use has been made of the following European harmonised standards:

NEN-EN 14492-2:2019: Cranes - Power driven winches and hoists – Part 2: Power driven hoists

Veenendaal, may 2021

M.A.D. Holding B.V.

J.J.C. Ligtvoet

Director

MASTERING YOUR SAFETY AND LOADING SOLUTIONS.



Loading
Systems

MAD
Wiltonstraat 53
3095 KW Veenendaal
The Netherlands

T +31 (0) 318 586 100
mad-loadingsystems.com