

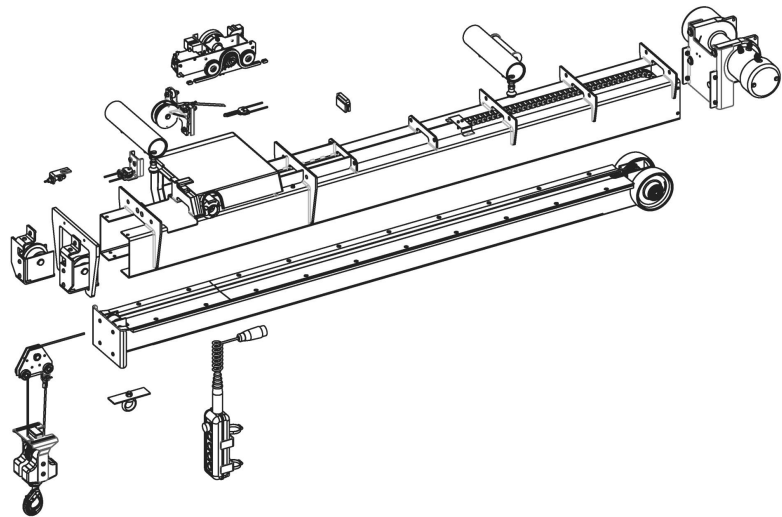
**MAX SPACE.
MAX SAFETY.
MAX EFFICIENCY.**

EasyLoad

EL-501-2S320D (12VDC)

EL-501-2S321D (24VDC)

EL-502-2S3200 (12VDC)

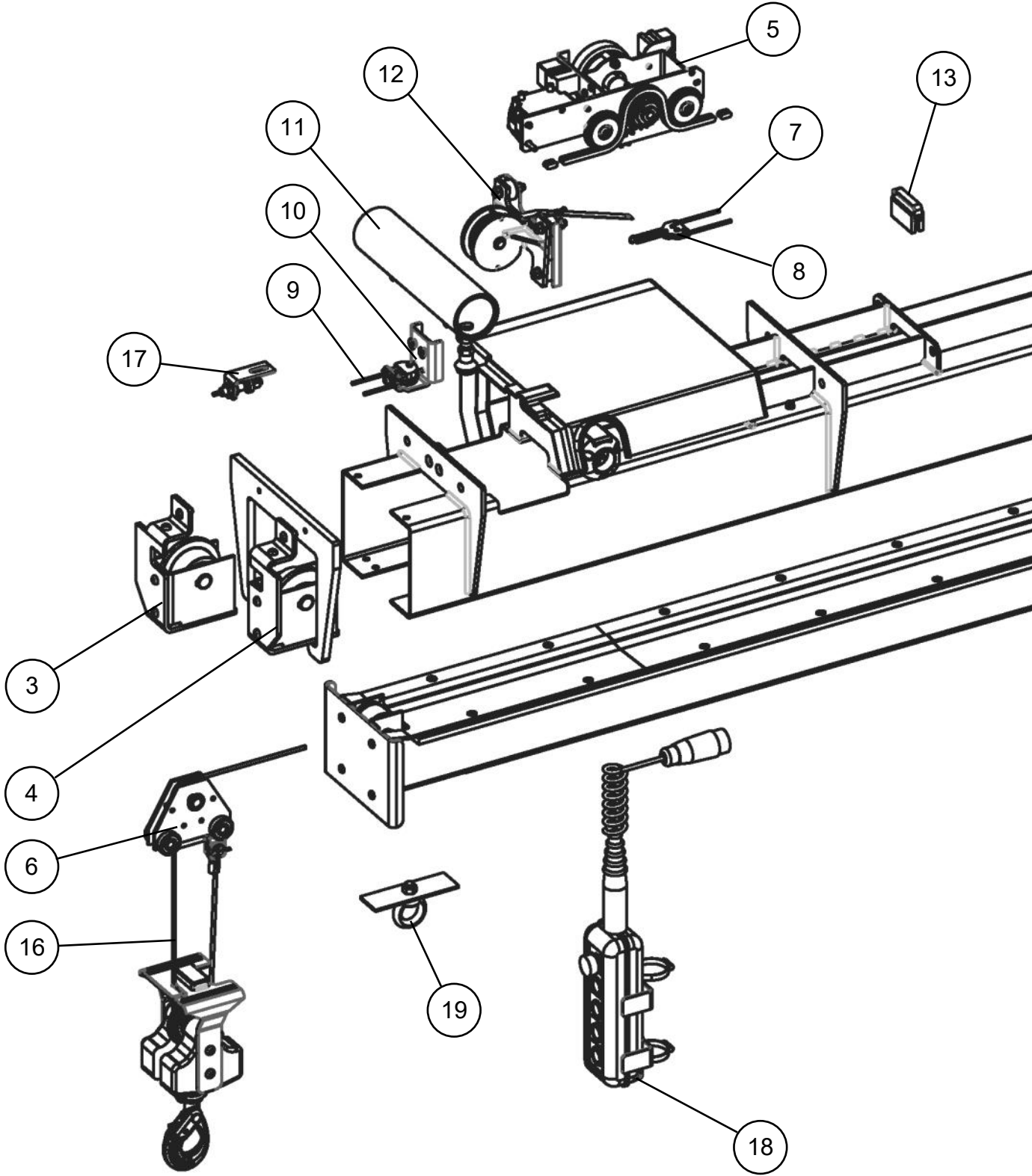


**Loading
Systems**

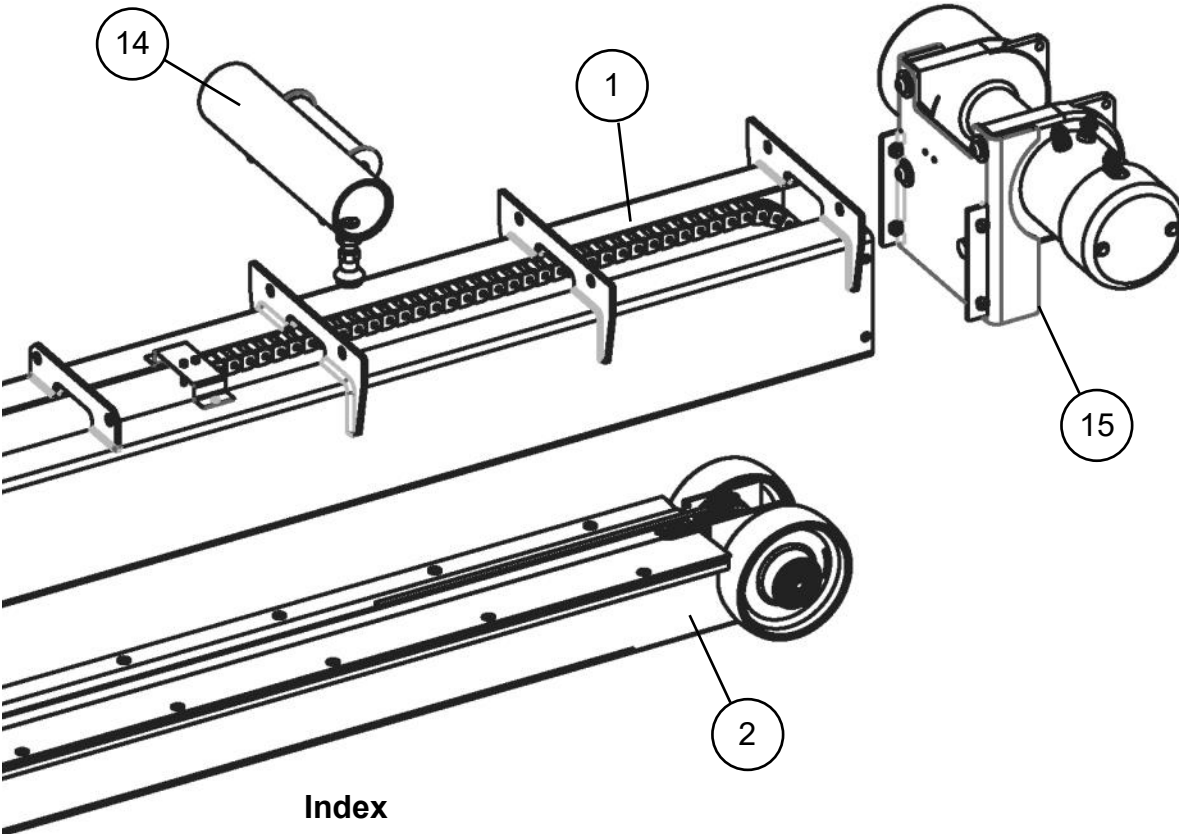
EN Part list

EH00012-00

EL-501, EL-502



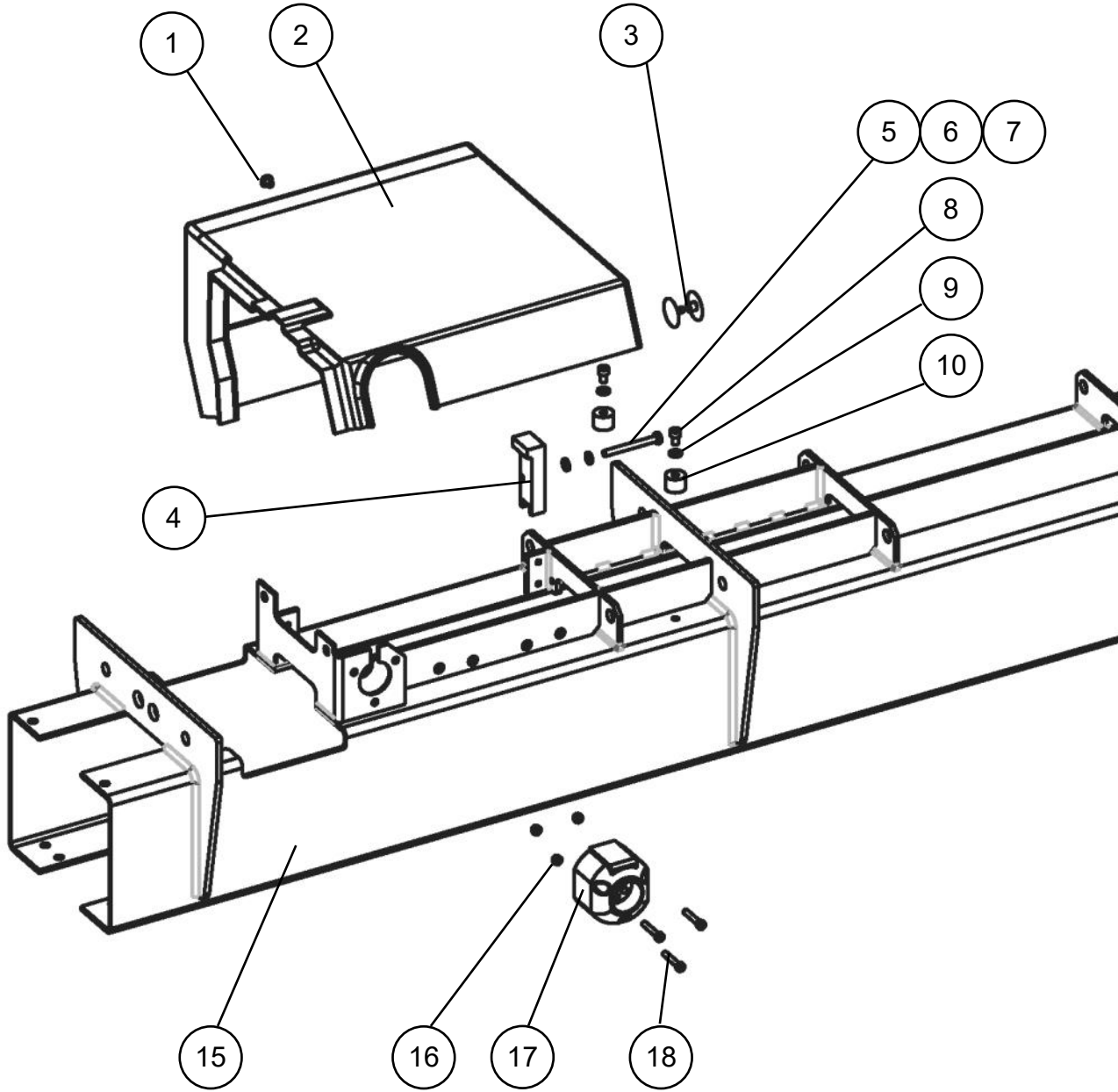
EL-501, EL-502



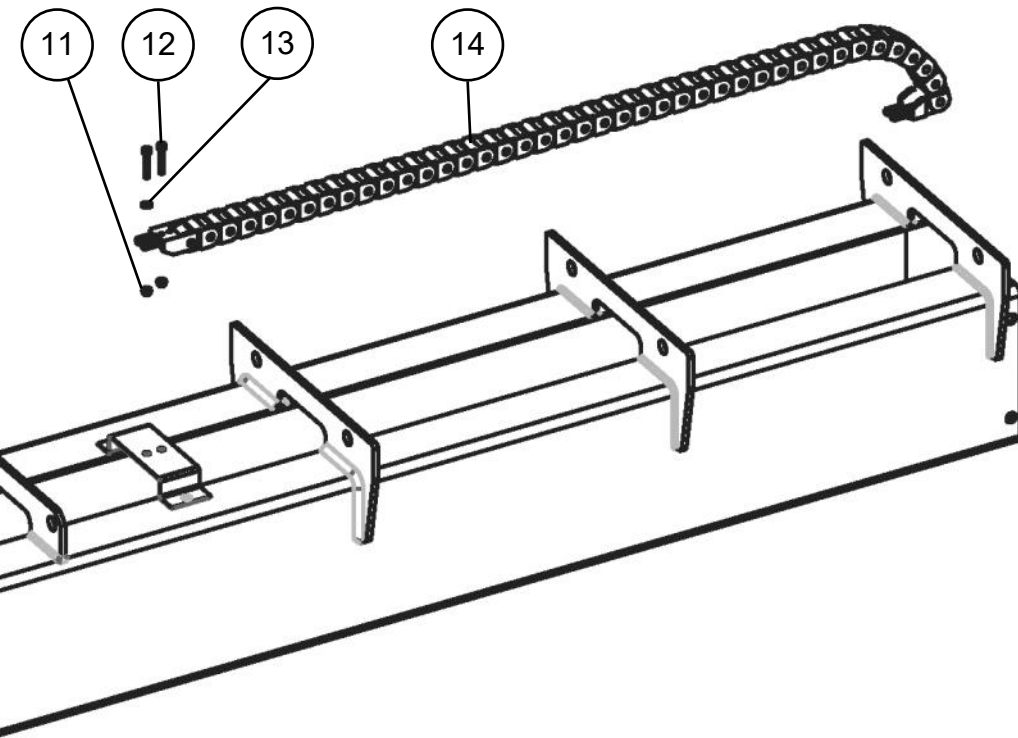
Index

Item	Version	Name	Page
1	EL-501, EL-502	Assembly outer beam	4-5
2	EL-501, EL-502	Assembly inner beam (2275)	6-9
3	EL-501	Assembly track wheel left	10
4	EL-501	Assembly track wheel right	11
3	EL-502	Assembly track wheel left	12
4	EL-502	Assembly track wheel right	13
5	EL-501, EL-502	Assembly motor bracket	14-16
6	EL-501, EL-502	Assembly traveller 500 kg	17
7	EL-501, EL-502	Assembly front traveller cable 4380 mm	18
8	EL-501, EL-502	Assembly cable tensioner	18
9	EL-501, EL-502	Assembly rear traveller cable 3810 mm	19
10	EL-501, EL-502	Assembly overload	19
11	EL-501, EL-502	Rear slide support	20
12	EL-501, EL-502	Rear cable wheel	21
13	EL-501, EL-502	Cable guide	22
14	EL-501, EL-502	Front slide support	23
15	EL-501, EL-502	Assembly winch	24
16	EL-501, EL-502	Assembly hoist cable (10,25 m) 500 kg	26
17	EL-501, EL-502	Assembly door switch	28
18	EL-501, EL-502	Assembly controller	29
19	EL-502	Safety bolt eye	30
20	EL-501, EL-502	Labels 500kg	31

EL-501, EL-502



EL-501, EL-502



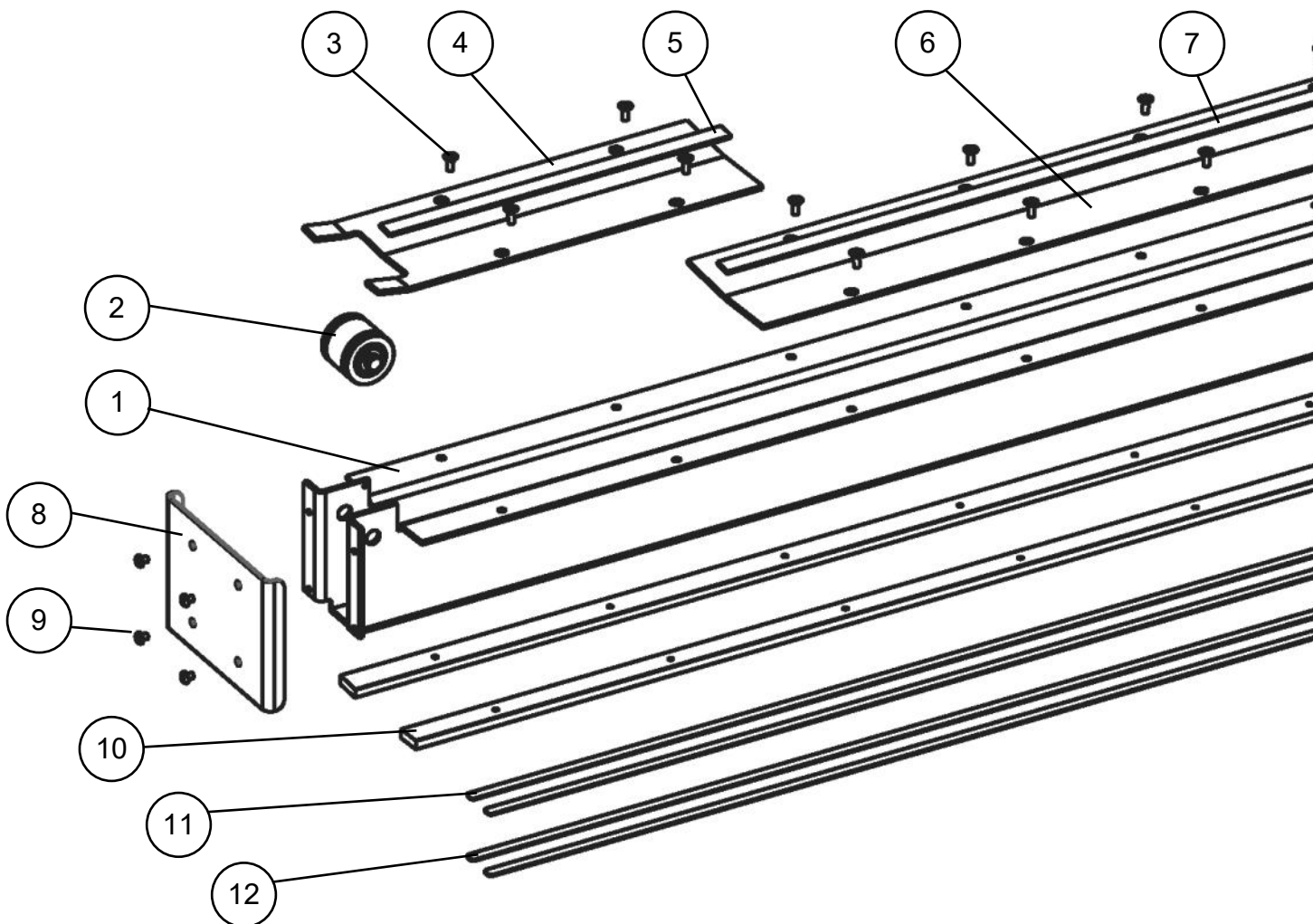
Bill of material: Assembly outer beam

Item	Part nr	Name	Qty
1	EC07013	M6x8 hex socket button screw	6
2	EK80018	Plastic relay cover 500kg	1
3	EK80015	Snap clip relay cover	1
4	EK80021	Chain guide	1
5	EC01005	Bolt M6x90 DIN933	1
6	8730101	Spring washer M6 DIN127B	1
7	8650303	Nut M6 DIN934	1
8	EC07015	Bolt M6x10 Allen DIN912	2
9	TC03008	Washer M6 DIN125A	2
10	EX82001	Bump buffer 20x15 e m6	2
11	EC02001	Lock nutM4 DIN985	2
12	EC07001	Bolt M4x25 Allen DIN912	2
13	TC03008	Washer M6 DIN125A	1
14	EE07004	Cable track(40 shackles)	1
15	EM80027	Outer beam (2275) 500kg	1
16	8730112	Nut M5 DIN934	3
17	On request	7-pole inlet (included in wire loom)	1
18	EC07018	Screw M5x30 DIN84	3

EL-501, EL-502

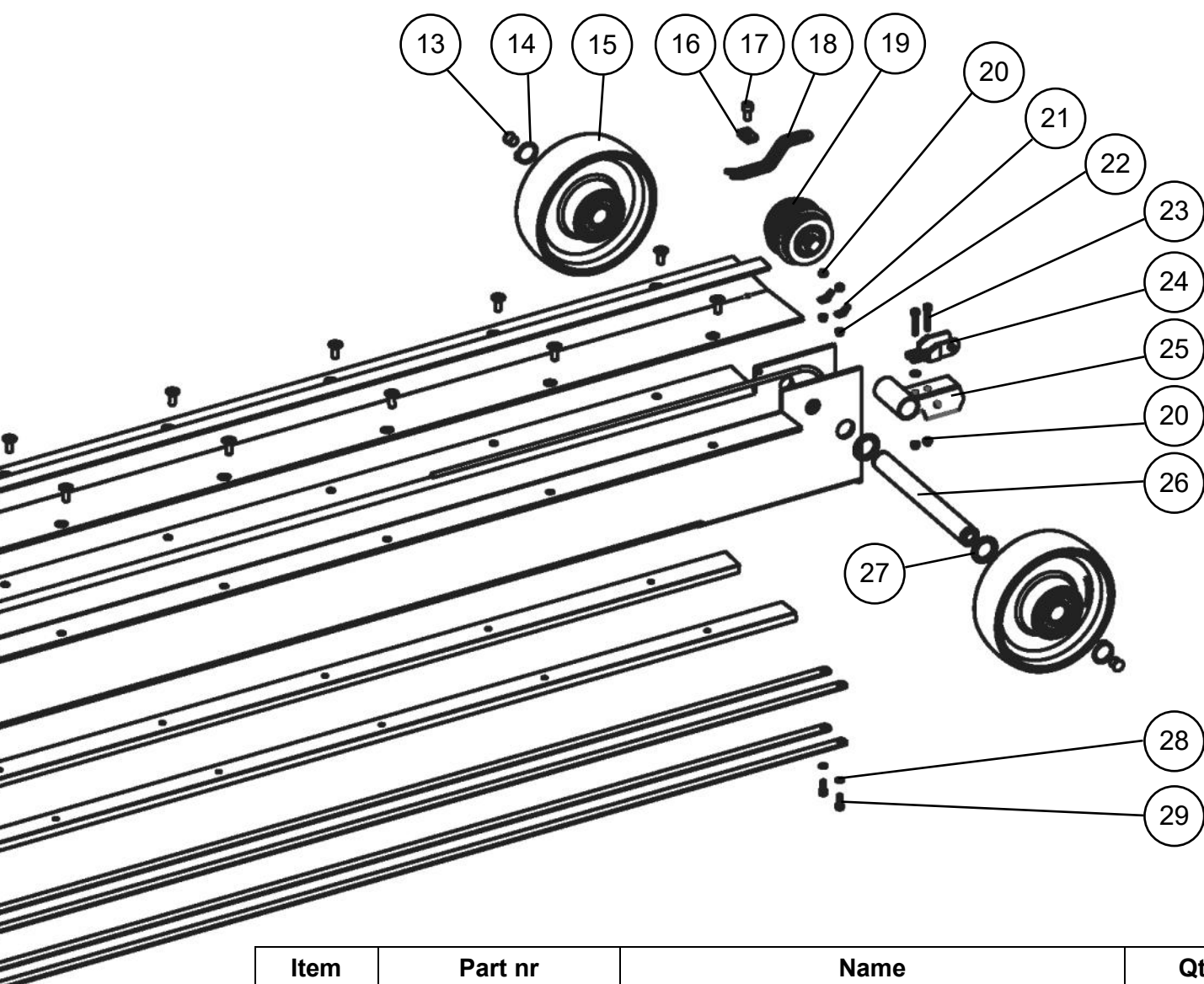
Bill of material: Assembly inner beam (2275)

Item	Part nr	Name	Qty
1	EM82001	Inner beam (2275)	1
2	EM83009	Assembly of reversing wheels rear	See page 9
3	EC07028	Bolt M6x16 countersunk torx	20
4	EM82011	Top plate inner beam, hatch	1
5	ER04002	Rubber foam strip 20x3	0.39 m



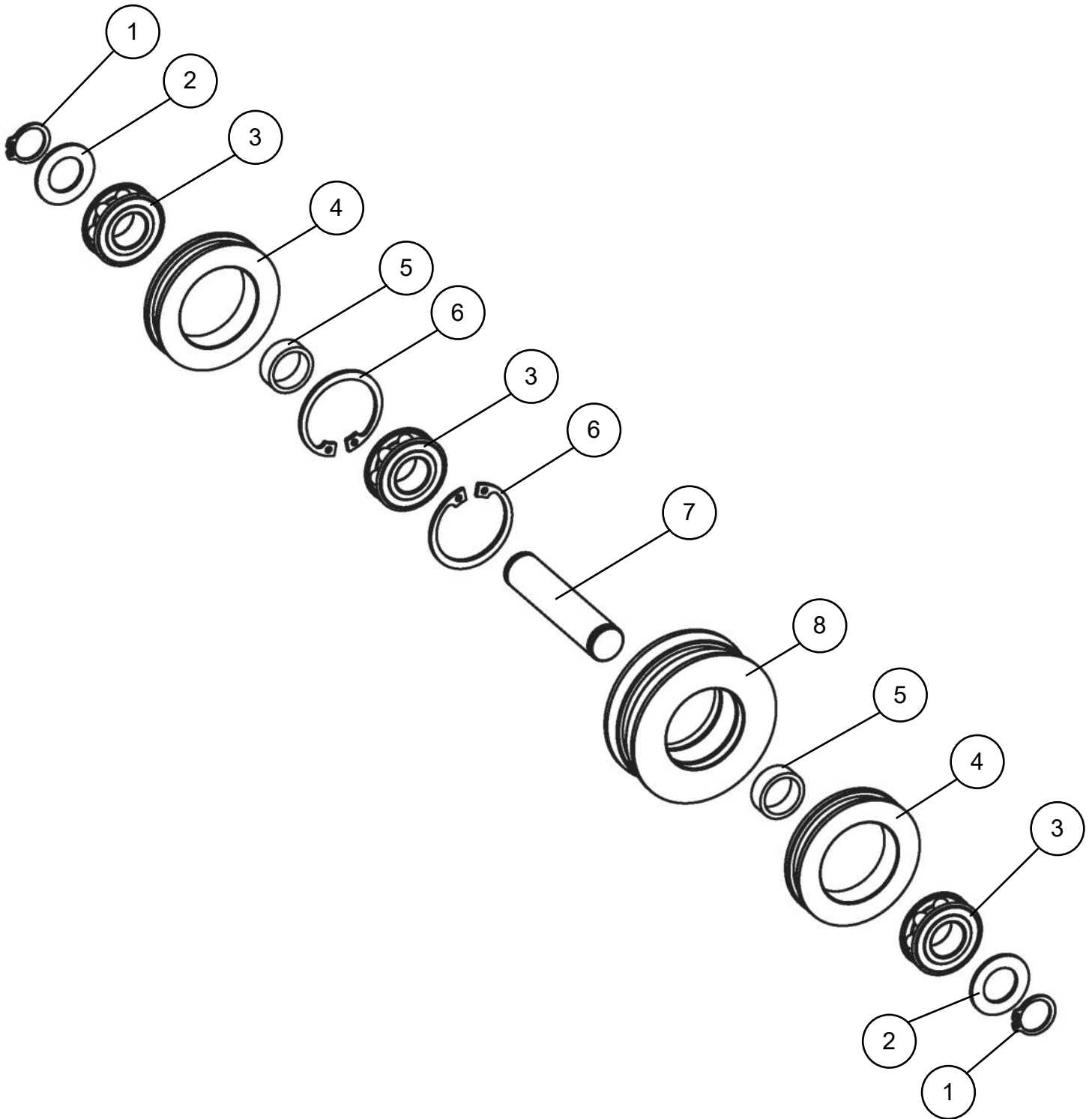
Item	Part nr	Name	Qty
6	EM82002	Top plate inner beam (2275)	1
7	ER04002	Rubber foam strip 20x3	1.61 m
8	EM82019	Inner beam rear cover	1
9	EC07013	M6x8 hex socket button screw ISO7380-1	4
10	EM82003	Rail inner beam (2275)	2
11	EE07005	Double-sided adhesive tape, 12mm	2x 1.98 m
12	EE14001	Copper strip	2x 1.98 m

EL-501, EL-502



Item	Part nr	Name	Qty
13	TK12004	Plastic plug	2
14	EC17002	Lock ring 20 mm DIN471	2
15	EX81002	Polyamide wheel	2
16	EM82012	Clamp cable guide	1
17	8730102	Bolt M6x12 Allen DIN912	1
18	EM82010	Cable guide	1
19	EM83008	Assembly of reversing wheels front	See page 8
20	EC02001	Lock nut M4 DIN985	4
21	TE15011	Faston 6.3x0.8 uninsulated 1 x 45°	2
22	EK03002	Insulation tablet 4.5x6x3.2	2
23	EC07001	Bolt M4x25 Allen DIN912	2
24	(EE07004)	Cable track	See page 5
25	EM82016	Bracket for cable track	1
26	EM82004	Wheel spindle inner beam	1
27	EK03003	Spacer 20.2x29x1.5	2
28	EK03005	Plastic ring 4.3x8x0.5	2
29	EC07005	Bolt M4x12 Allen DIN912	2

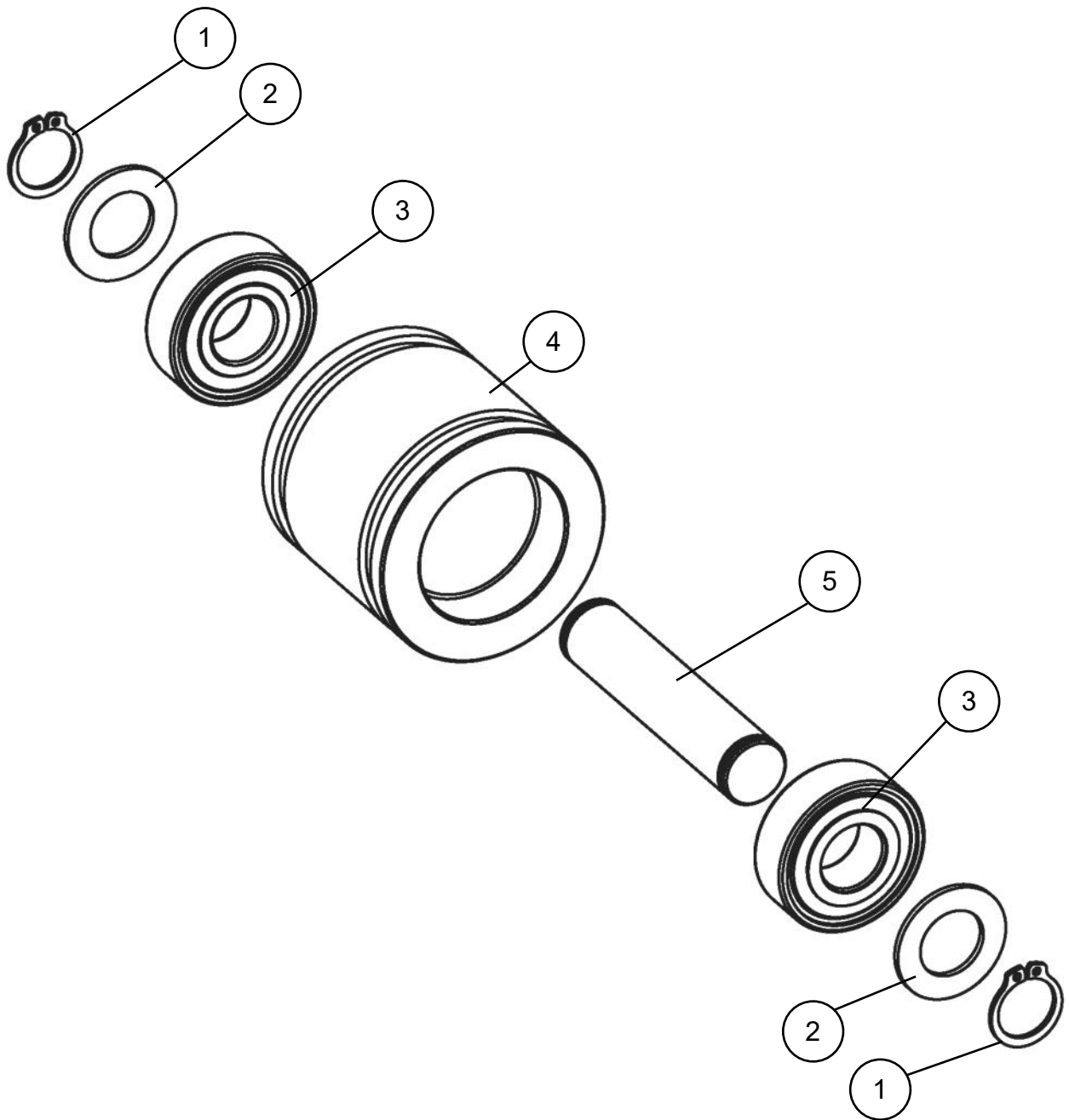
EL-501, EL-502



Bill of material: Assembly reversing wheels front

Item	Part nr	Name	Qty
1	EC17001	Lock ring 15 mm DIN471	2
2	EK03004	Spacer 15.2x26x1.4	2
3	EC09001	Ball bearing reversing wheel / traveller	3
4	EM82006	Reversing wheel small	2
5	EM82009	Spacer 7 mm	2
6	EC17003	Lock ring 35 mm DIN471	2
7	EM82005	Reversing wheel shaft	1
8	EM82008	Reversing wheel large	1

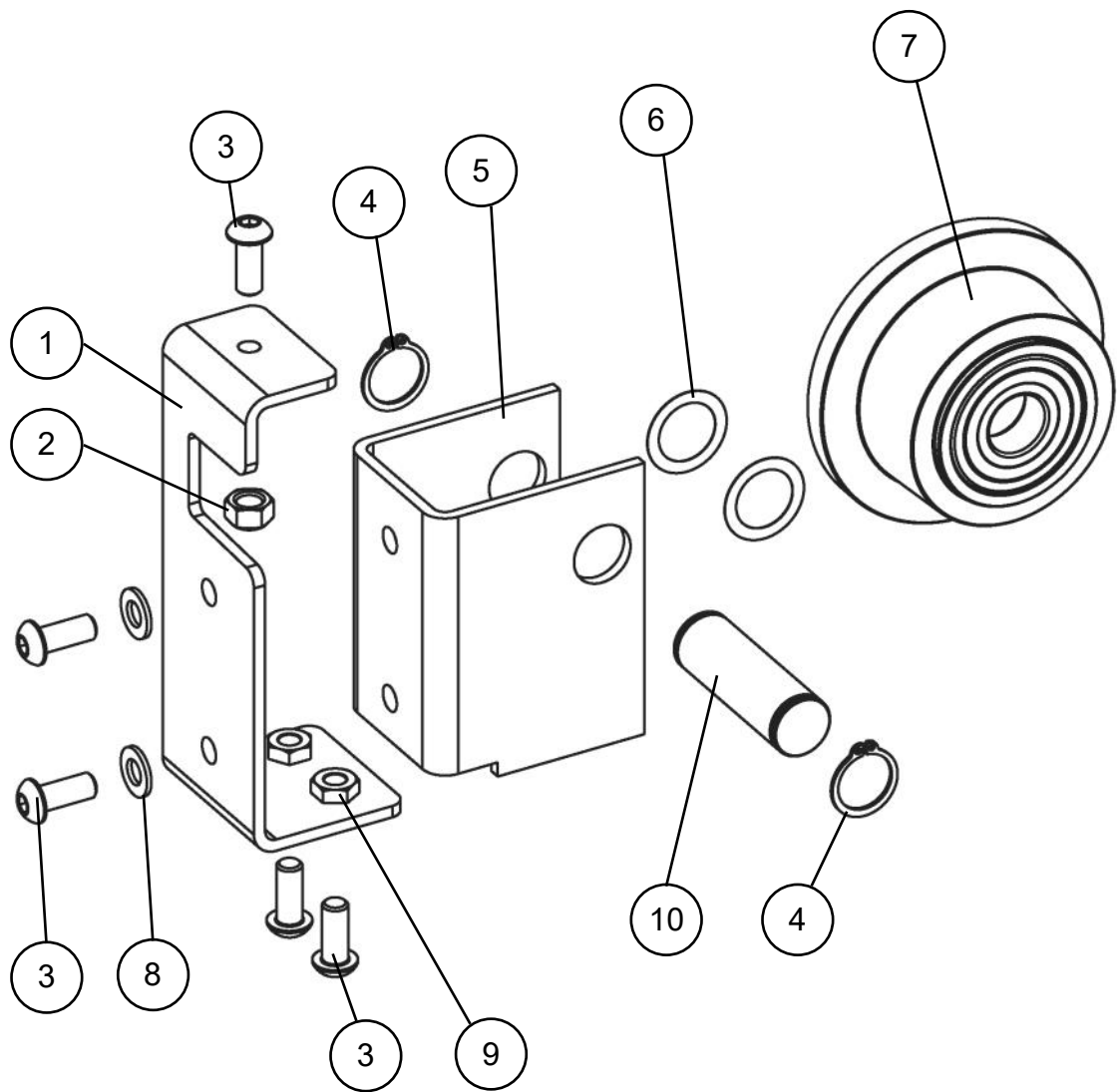
EL-501, EL-502



Bill of material: Assembly reversing wheels rear

Item	Part nr	Name	Qty
1	EC17001	Lock ring 15 mm DIN471	2
2	EK03004	Spacer 15.2x26x1.4	2
3	EC09001	Ball bearing reversing wheel / traveller	2
4	EM82007	Reversing wheel	1
5	EM82005	Reversing wheel shaft	1

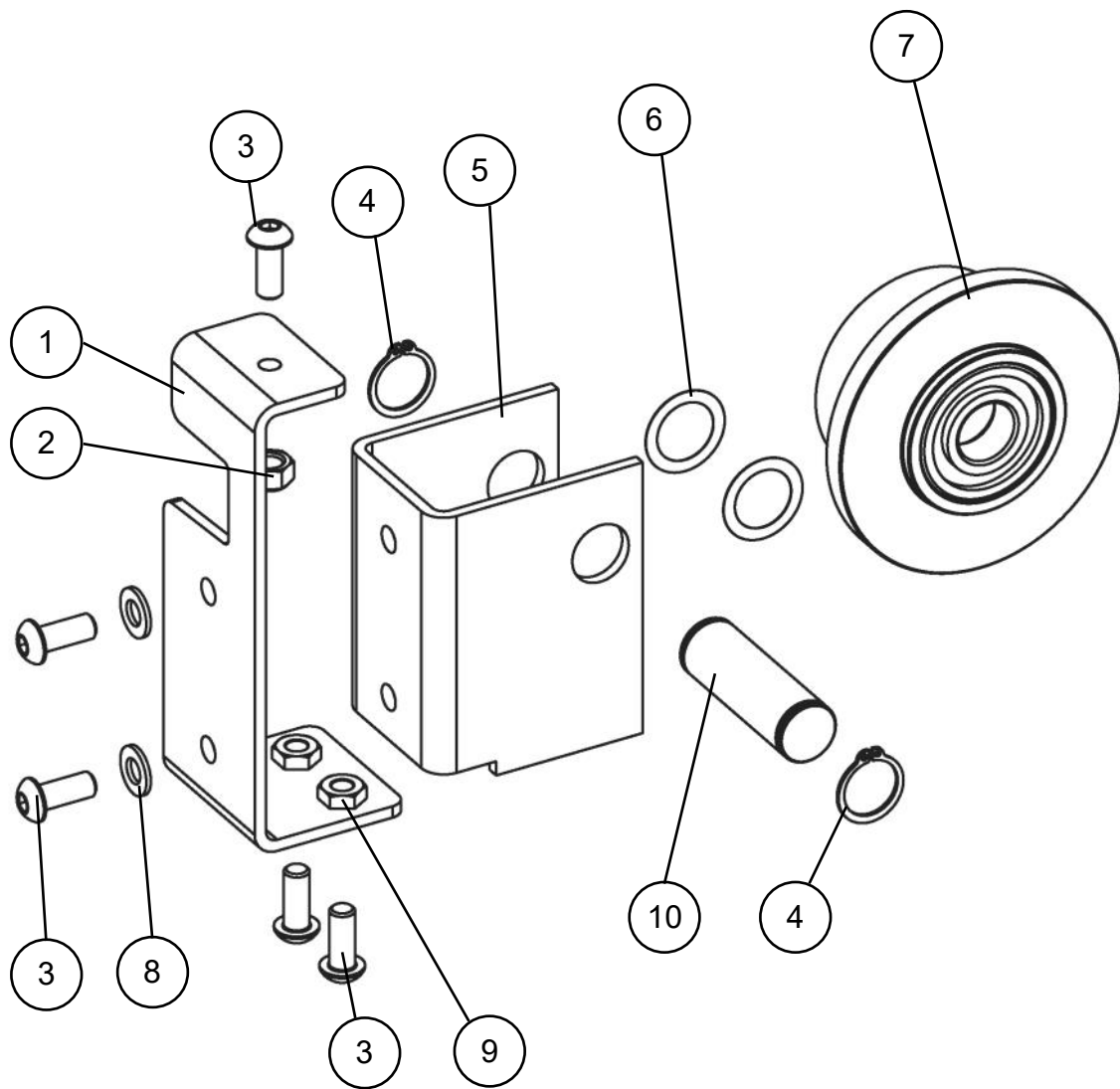
EL-501



Bill of material: Assembly track wheel left

Item	Part nr	Name	Qty
1	EM81002	Left wheel plate	1
2	EC12001	Lock nut M8 DIN985	1
3	EC07012	M8x20 hex socket button screw ISO7380-1	5
4	EC17002	Lock ring 20 mm DIN471	2
5	EM81003	Wheel bracket	1
6	EM64001	Spacer 28x20x0.3	2
7	EX81003	Track wheel 500 kg	1
8	8650108	Washer M8	2
9	EC02004	Press nut M8	2
10	EM81004	Wheel spindle track wheel	1

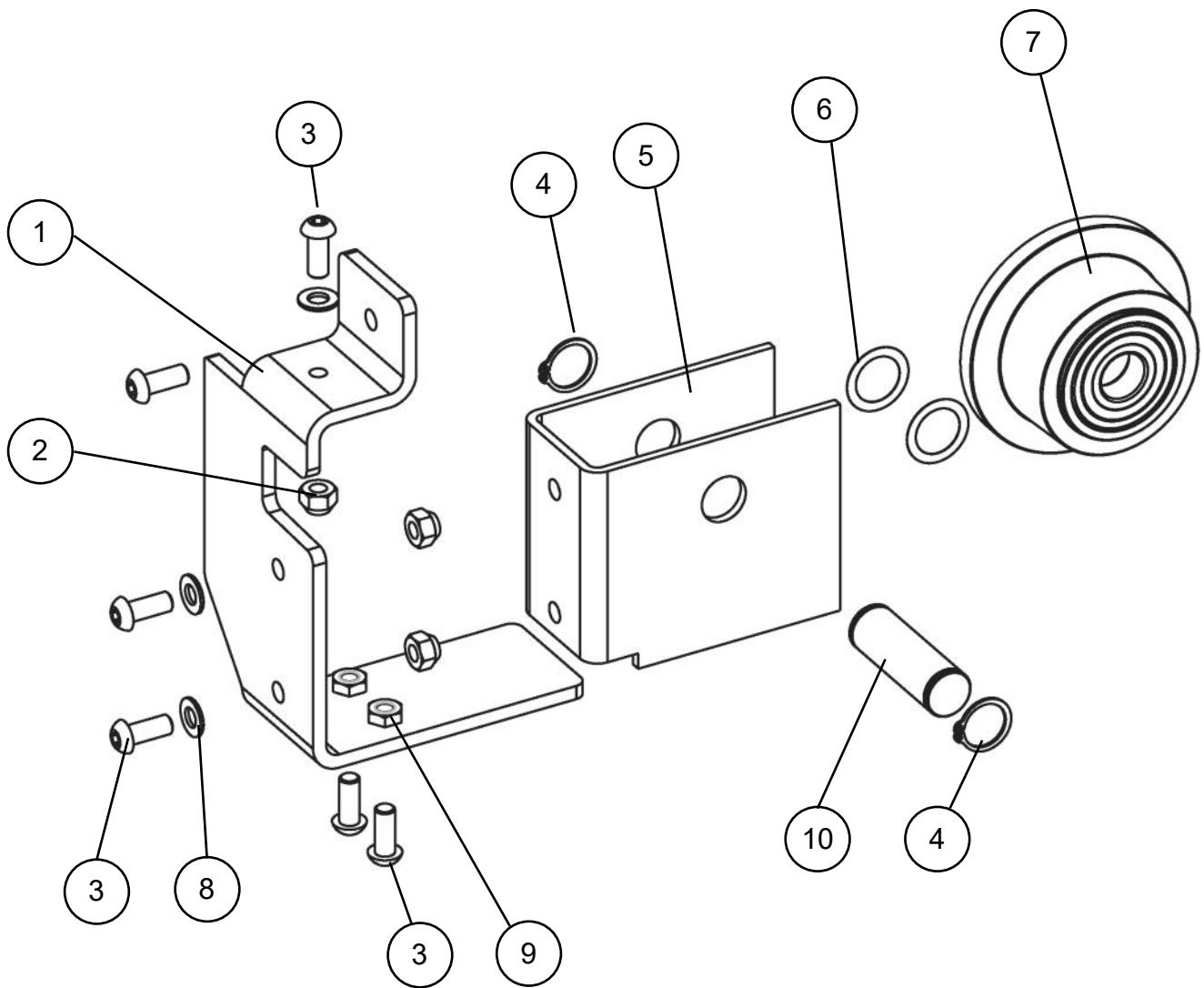
EL-501



Bill of material: Assembly track wheel right

Item	Part nr	Name	Qty
1	EM81001	Right wheel plate	1
2	EC12001	Lock nut M8 DIN985	1
3	EC07012	M8x20 hex socket button screw ISO7380-1	5
4	EC17002	Lock ring 20 mm DIN471	2
5	EM81003	Wheel bracket	1
6	EM64001	Spacer 28x20x0.3	2
7	EX81003	Track wheel 500 kg	1
8	8650108	Washer M8	2
9	EC02004	Press nut M8	2
10	EM81004	Wheel spindle track wheel	1

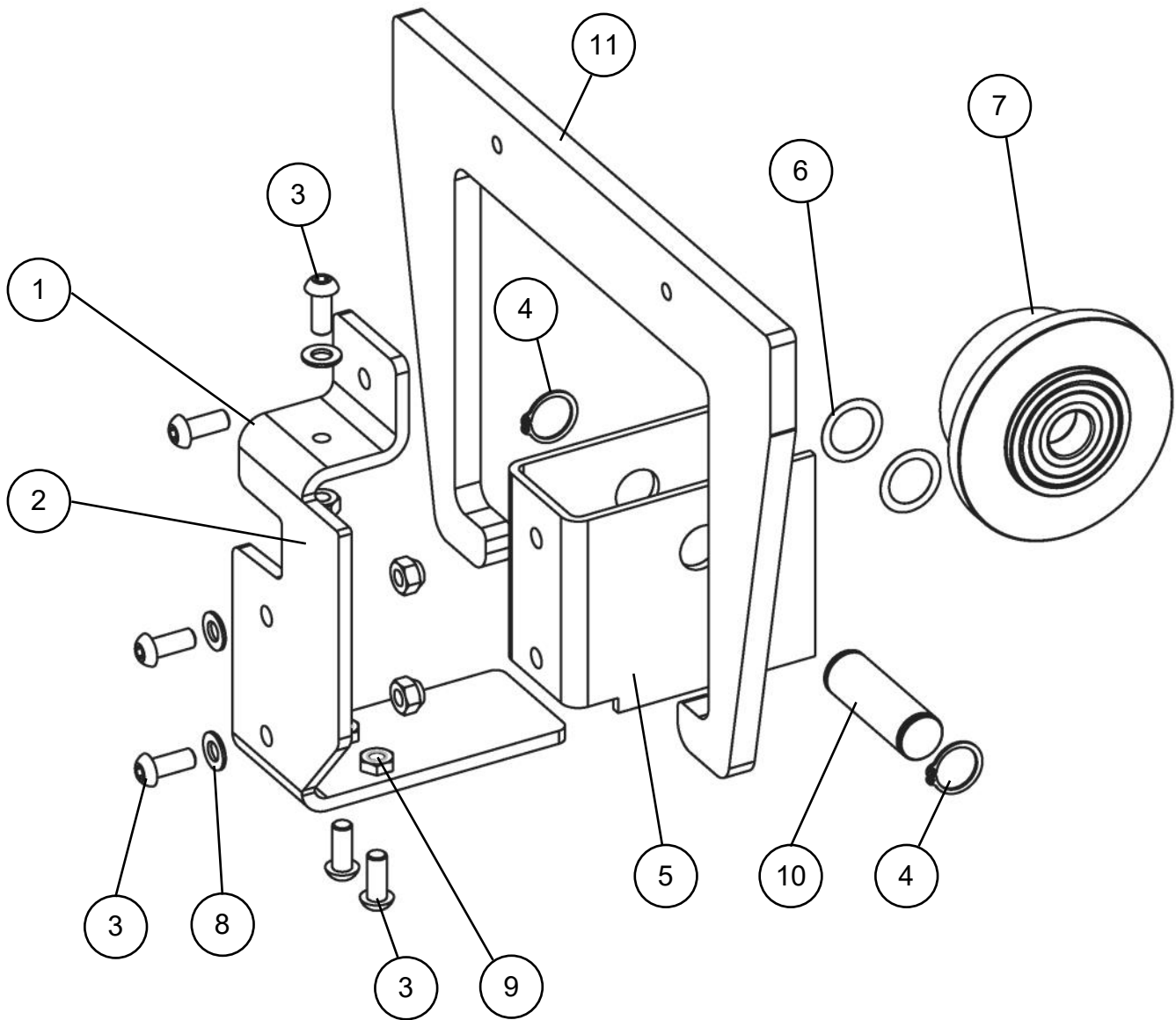
EL-502



Bill of material: Assembly track wheel left

Item	Part nr	Name	Qty
1	EM81010	Left wheel plate	1
2	EC12001	Lock nut M8 DIN985	1
3	EC07012	M8x20 hex socket button screw ISO7380-1	5
4	EC17002	Lock ring 20 mm DIN471	2
5	EM81012	Wheel bracket	1
6	EM64001	Spacer 28x20x0.3	2
7	EX81003	Track wheel 500 kg	1
8	8650108	Washer M8	2
9	EC02004	Press nut M8	2
10	EM81004	Wheel spindle track wheel	1

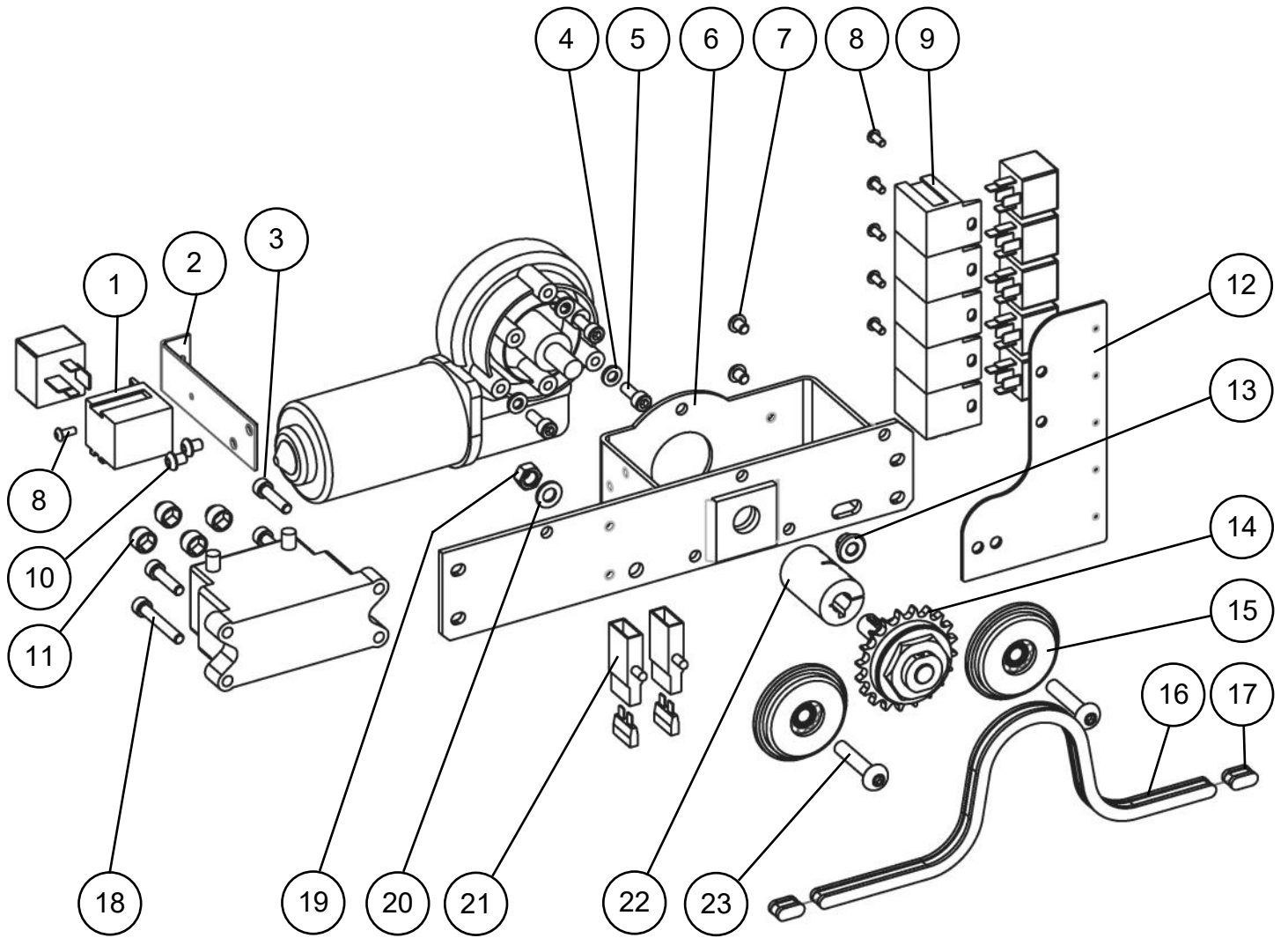
EL-502



Bill of material: Assembly track wheel right

Item	Part nr	Name	Qty
1	EM81011	Right wheel plate	1
2	EC12001	Lock nut M8 DIN985	1
3	EC07012	M8x20 hex socket button screw ISO7380-1	5
4	EC17002	Lock ring 20 mm DIN471	2
5	EM81012	Wheel bracket	1
6	EM64001	Spacer 28x20x0.3	2
7	EX81003	Track wheel 500 kg	1
8	8650108	Washer M8	2
9	EC02004	Press nut M8	2
10	EM81004	Wheel spindle track wheel	1
11	EM80054	Reinforcement bracket	1

EL-501, EL-502

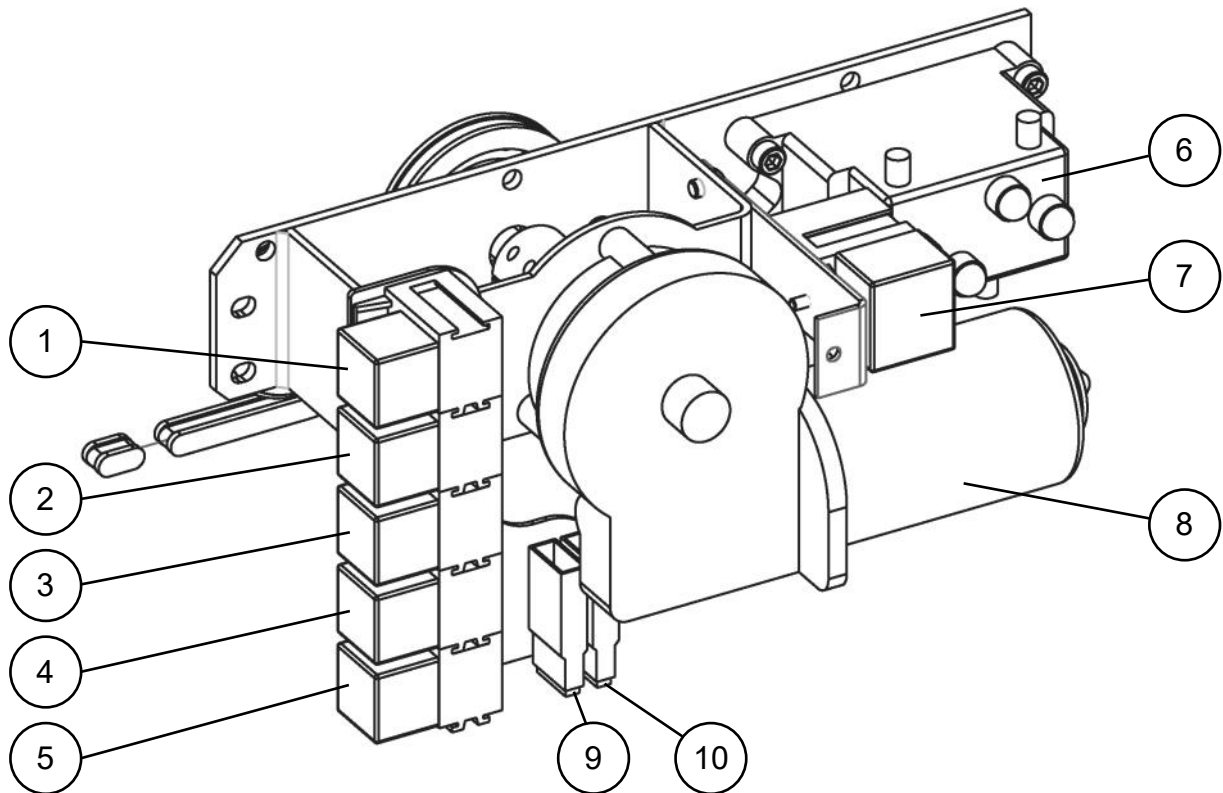


EL-501, EL-502

Bill of material: Assembly motor bracket

Item	Part nr	Name	Qty
1	On request	Relay base (included in wire loom)	1
2	EM80030	Relay bracket large 500kg	1
3	EC07010	Bolt M6x25 Allen DIN912	3
4	TC03008	Washer M6 DIN125	3
5	TC07004	Bolt M6x16 Allen DIN912	3
6	EM80029	Assembly motor support	1
7	EC07015	Bolt M6x10 Allen DIN912	2
8	EC07005	M4x12 hex socket button screw	6
9	VE03007	Relay base (included in wire loom)	5
10	EC07013	M6x8 hex socket button screw	2
11	EC91001	Plastic cap black	4
12	EM80046	Relay bracket small (5 relays) 500kg	1
13	TC91001	Flange nut M8	1
14	EC99007	Assembly slipping clutch	1
15	EM80024	Track roller chain	2
16	EC99008	Chain 3/8 2000mm	2,5 m
17	EC99004	Chain coupler	2
18	8730104	Bolt M6x40 Allen DIN912	1
19	EC12001	Lock nut DIN985	1
20	8650108	Washer M8 DIN125	1
21	On request	Fuse holder with clip (included in wire loom)	2
22	EC99015	Shaft coupling with keyway500kg	1
23	EC07009	M8x40 hex socket button screw	2

EL-501, EL-502

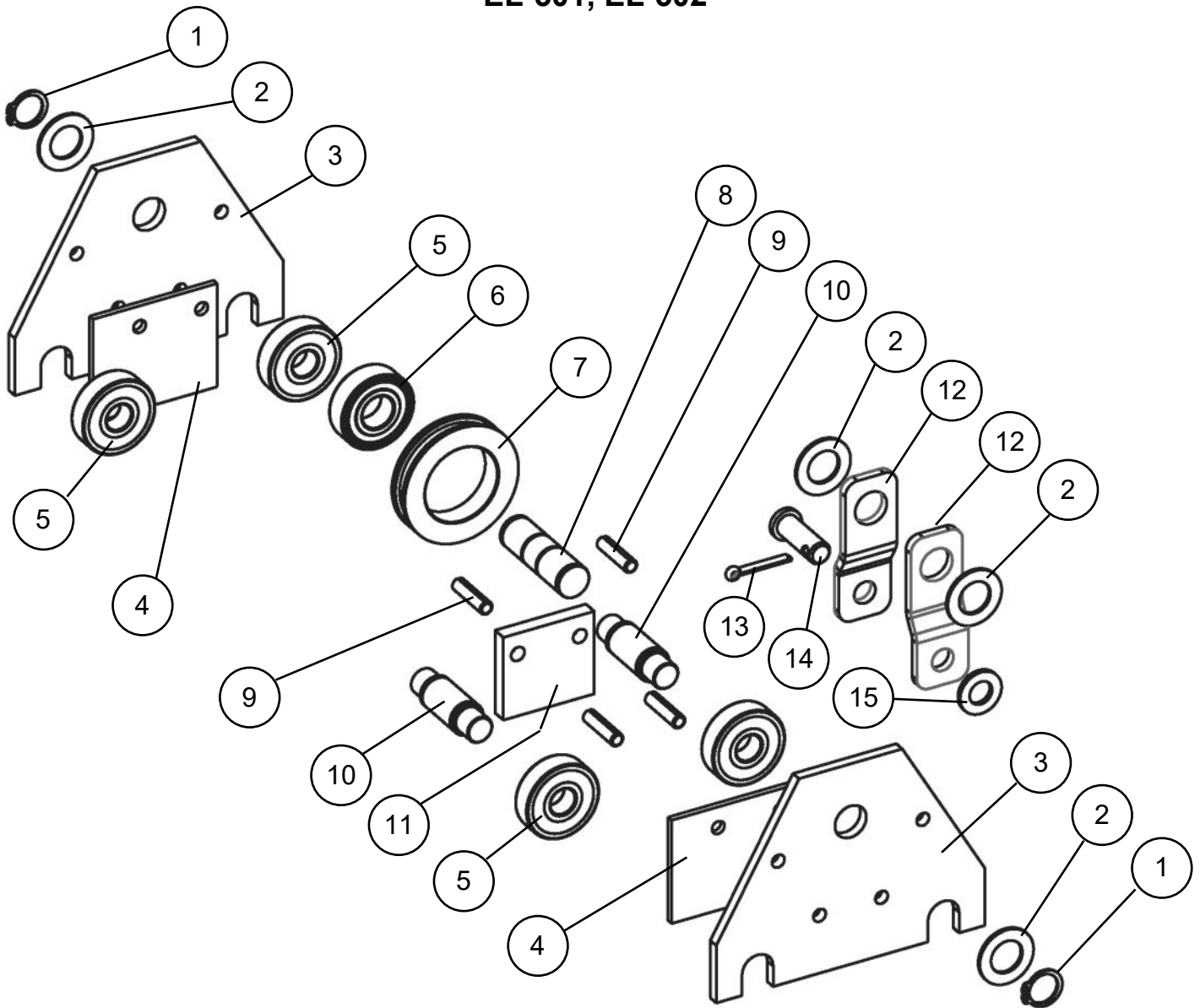


Bill of material: Assembly motor bracket

69260700

Item	Voltage	Part nr	Name	Qty
1	12 V	EE17001	Relay 12 VDC, Up , (incl. in wire loom)	1
2	12 V	EE17001	Relay 12 VDC, Down , (incl. in wire loom)	1
3	12 V	EE17001	Relay 12 VDC, In , (incl. in wire loom)	1
4	12 V	EE17001	Relay 12 VDC, Out , (incl. in wire loom)	1
5	12 V	EE17001	Relay 12 VDC, Safety , (incl. in wire loom)	1
6	12 V	EE17012	Winch relay 12 VDC 501/502	1
7	12 V	EE17002	Main relay 12 VDC	1
8	12 V	EE80005	Motor linear 12 VDC	1
1	24 V	EE17007	Relay 24 VDC, Up , (incl. in wire loom)	1
2	24 V	EE17007	Relay 24 VDC, Down , (incl. in wire loom)	1
3	24 V	EE17007	Relay 24 VDC, In , (incl. in wire loom)	1
4	24 V	EE17007	Relay 24 VDC, Out , (incl. in wire loom)	1
5	24 V	EE17007	Relay 24 VDC, Safety , (incl. in wire loom)	1
6	24 V	EE17013	Winch relay 24 VDC 501/502	1
7	24 V	EE17005	Main relay 24 VDC 80A	1
8	24 V	EE80006	Motor linear 24 VDC	1
9	12/24 V	VE18003	Fuse 30A, (incl. in wire loom)	1
10	12/24 V	EE18005	Fuse 15A, (incl. in wire loom)	1
11	12 V	EE08013	Wire loom (electr.) 12 VDC	1
12	24 V	On request	Wire loom (electr.) 24 VDC	1

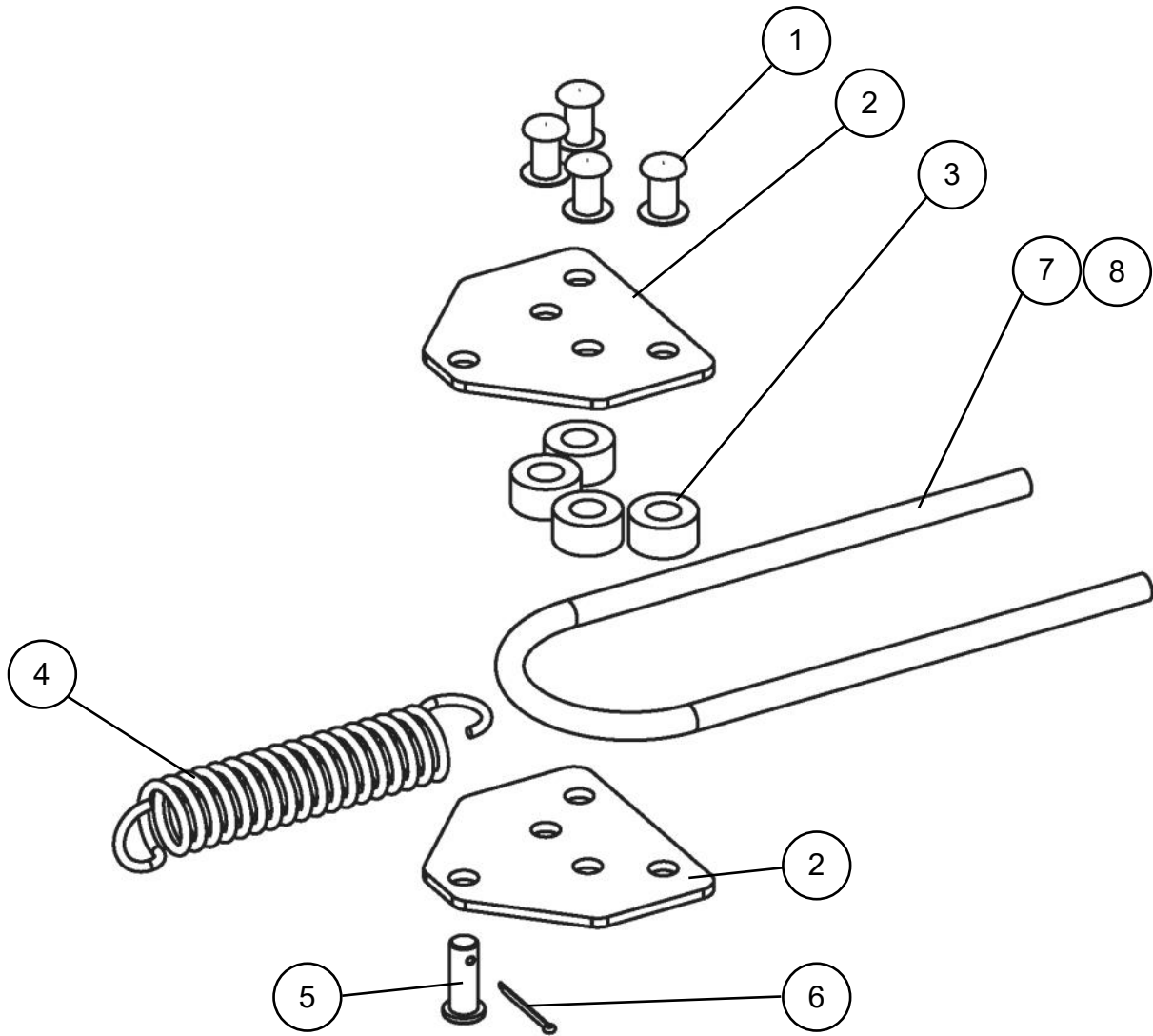
EL-501, EL-502



Bill of material: Assembly traveller 500kg

Item	Part nr	Name	Qty
1	EC17001	Lock ring 15 mm DIN471	2
2	EK03004	Spacer 15.2x26x1.4	4
3	EM83001	Metal side plate traveller	2
4	EM83011	Wear plate traveller green (500kg)	2
5	EC09007	Running roller traveller	4
6	EC09001	Ball bearing for reverse wheel/traveller	1
7	EM82006	Reverse wheel small	1
8	EM83005	Spindle hoist wheel	1
9	EC08001	Spring pin 6x24	4
10	EM83003	Spindle traveller wheels	2
11	EM83006	Centre plate nylon traveller (black/white)	1
12	EM82026	Bracket hoist cable 500kg	2
13	EC08008	Split pen 3.2x25 DIN94	1
14	EC08007	Pen 10x28 DIN434	1
15	8740101	Washer M10 DIN125	1

EL-501, EL-502

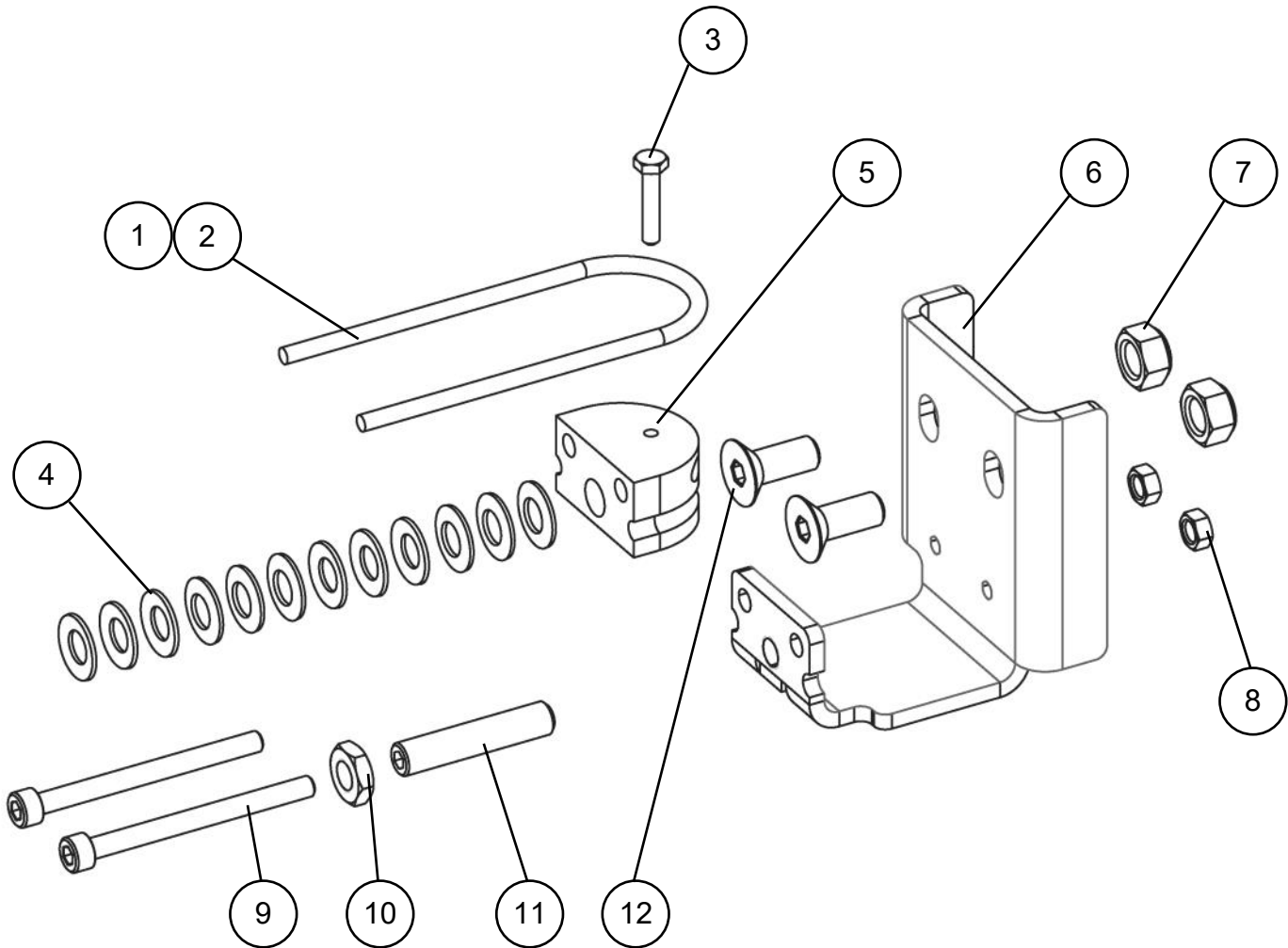


Bill of material: Assembly cable tensioner

Bill of material: Assembly front traveller cable 4380 mm

Item	Part nr	Name	Qty
1	TC11005	Rivet 4x12 aluminium	4
2	EM49003	Plate cable connector	2
3	TK03001	Spacer nylon 10x5x5	4
4	EV10004	Pull spring cable tensioner (type 2)	1
5	EC08002	Pin 4x12 DIN1434	1
6	EC08003	Split pen1x12 DIN94	1
7	EX80002	Steel cable 4 mm	4.38 m
8	EX80004	Crimp clamp aluminium 4 mm	2

EL-501, EL-502

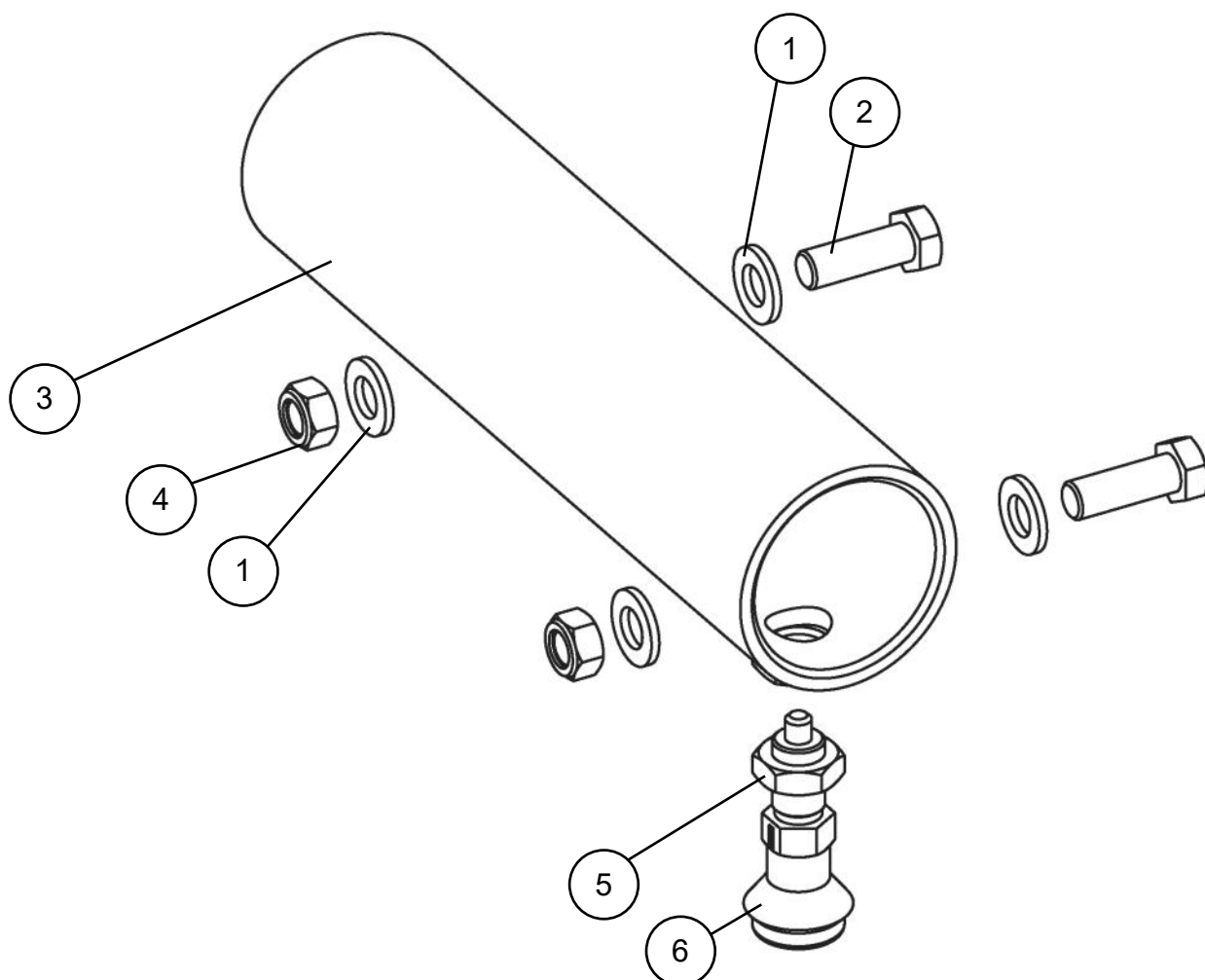


Bill of material: Assembly overload

Bill of material: Assembly rear traveller cable 3810 mm

Item	Part nr	Name	Qty
1	EX80002	Steel cable 4 mm	3.81 m
2	EX80004	Crimp clamp 4 mm	2
3	EC01001	Bolt M4x20 DIN933	1
4	EC05001	Spring washer M8 DIN2093A	12
5	EK49002	Half circle overload piece (type 2)	1
6	EM49004	Bracket overload shut-off	1
7	EC12001	Lock nut M8 DIN985	2
8	8730112	Nut M5 DIN934	2
9	EC07011	Bolt M5x60 Allen DIN912	2
10	EC02006	Nut M8 low DIN439B	2
11	EC18001	Adjustment screw M8x40 DIN913	2
12	EC07007	Bolt M8x20 DIN7991	2

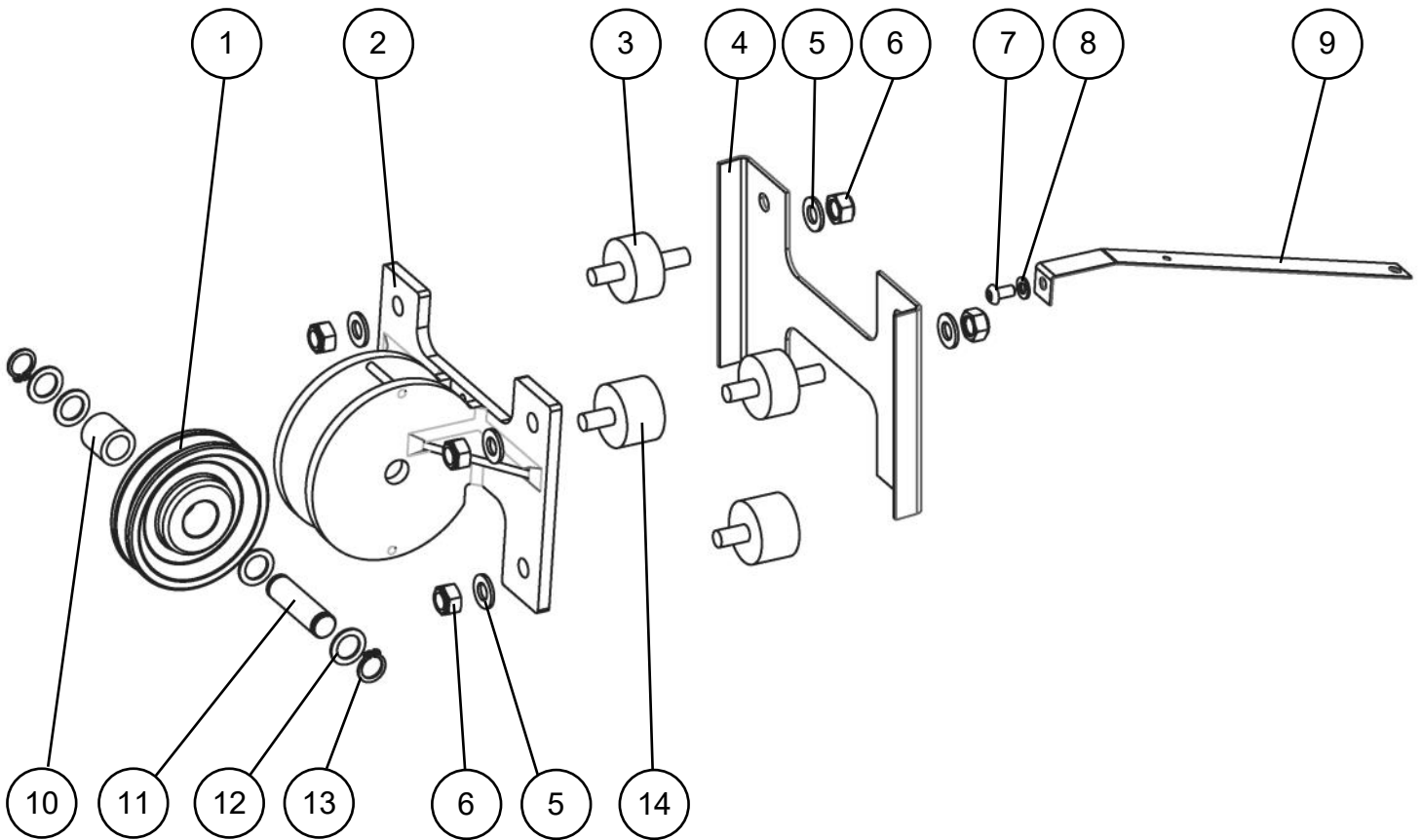
EL-501, EL-502



Bill of material: Assembly rear slide bracket

Item	Part nr	Name	Qty
1	8650112	Washer M12 DIN125A	4
2	M12x35 DIN933	Bolt M12x35 DIN933	2
2	M12x35 DIN933 12,9	EL-502: Bolt M12x35 DIN933 10.9	2
3	EM86025	EL-501: Slide bracket	1
3	EM86033	EL-502: Reinforced slide bracket	1
4	M12 DIN985	Lock nut M12 DIN985	2
5	EC02007	Nut M16 fine thread DIN439B	1
6	EC90002	Lock pin with slot	1

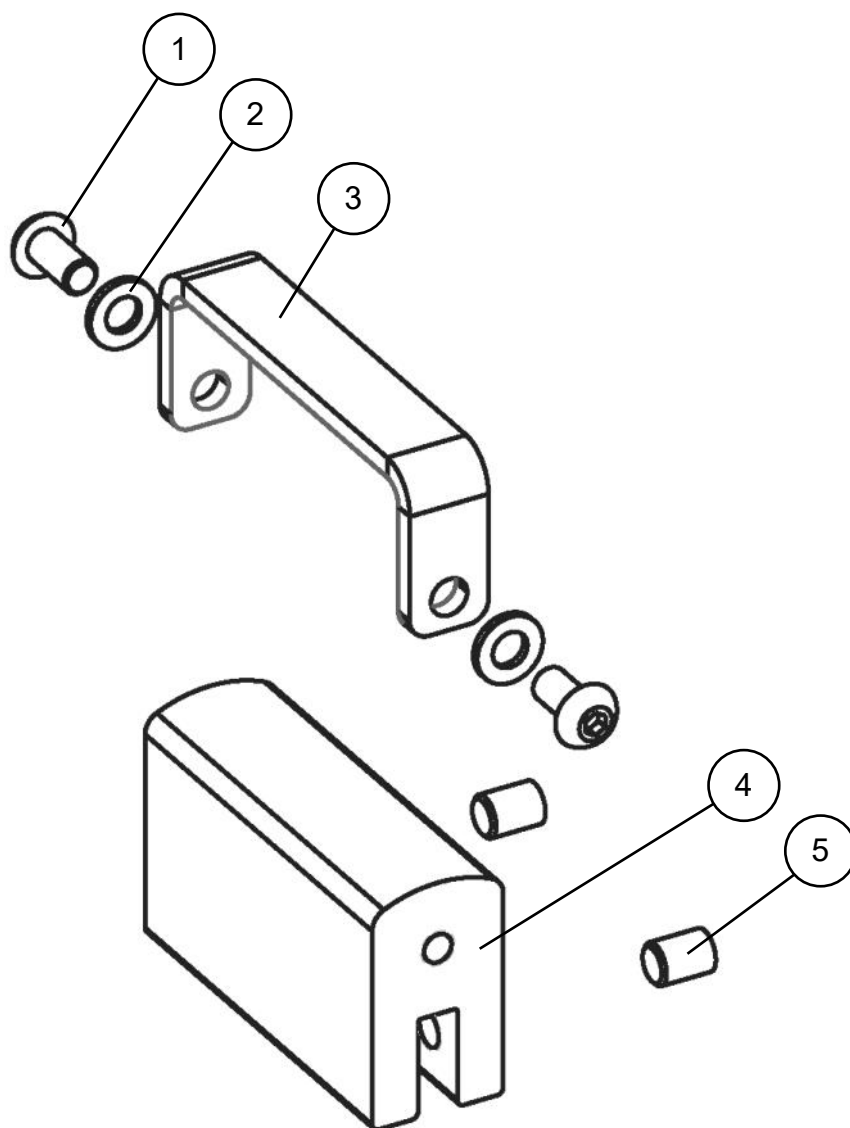
EL-501, EL-502



Bill of material: Assembly

Item	Part nr	Name	Qty
1	EM82030	Cable wheel	1
2	EM80038	Bracket cable wheel	1
3	ER04003	Rubber buffer (30x15)	2
4	EM80017	H-plate	1
5	8650108	Washer M8 DIN125A	6
6	EC12001	Lock nut M8 DIN985	6
7	TC06001	M5x10 hex socket button screw	1
8	8730111	Toothed ring M5 (M5 DIN6798A)	1
9	EM80019	Stainless strip (type 2)	1
10	EC09004	Glide bearing bronze	1
11	EM80039	Spindle for cable wheel	1
12	EC99014	Shim 18x12x1.0	4
13	EC17005	Lock ring 12 mm	2
14	ER04004	Rubber buffer (30x20)	2

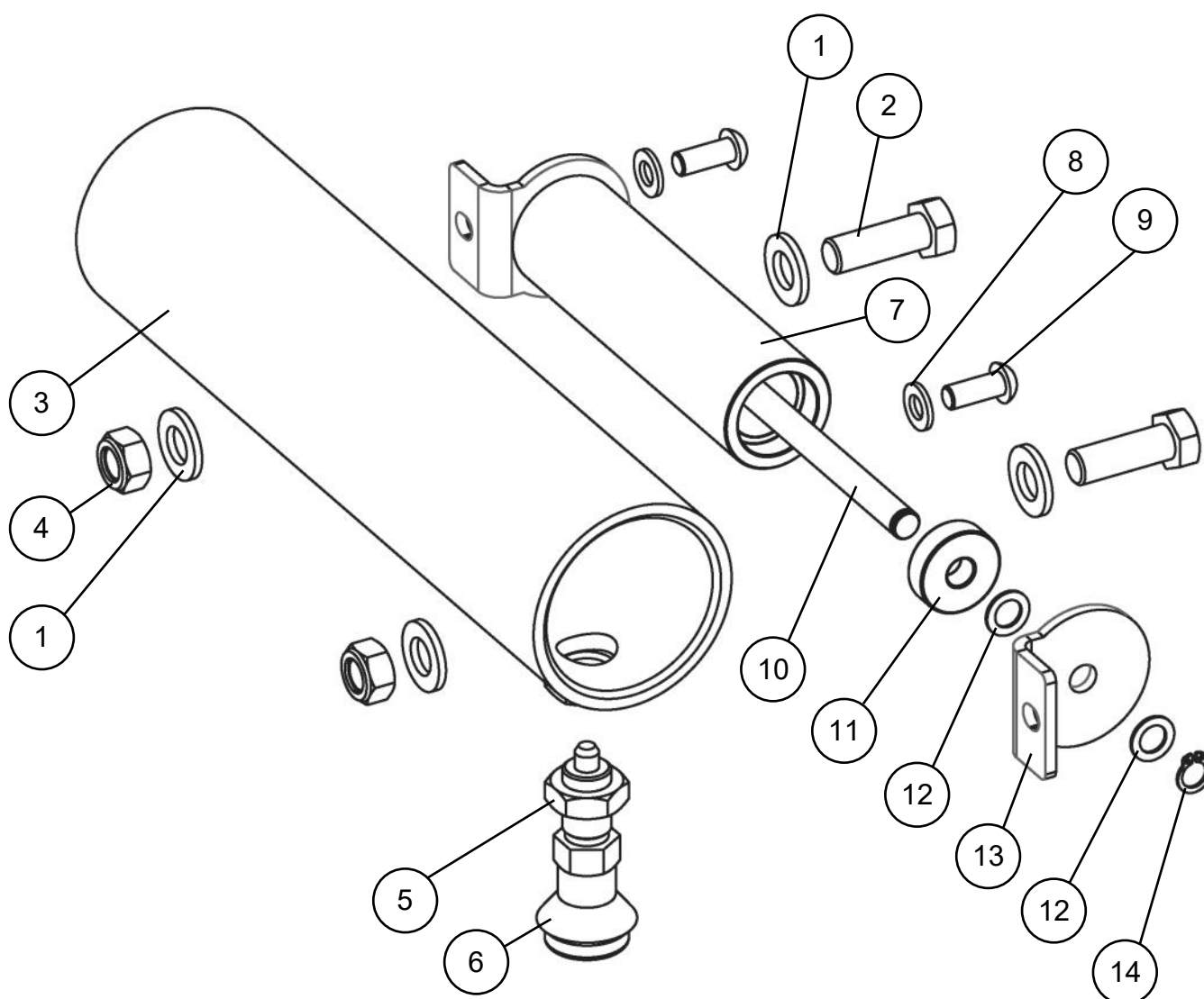
EL-501, EL-502



Bill of material: Assembly

Item	Part nr	Name	Qty
1	TC06001	M5x10 hex socket button screw 10.9	2
2	8730111	Toothed ring M5 DIN6798A	2
3	EM80041	Bracket cable guide	1
4	EM80040	Cable guide	1
5	EC18003	Adjustment screw M6x8 DIN916 iso4029	2

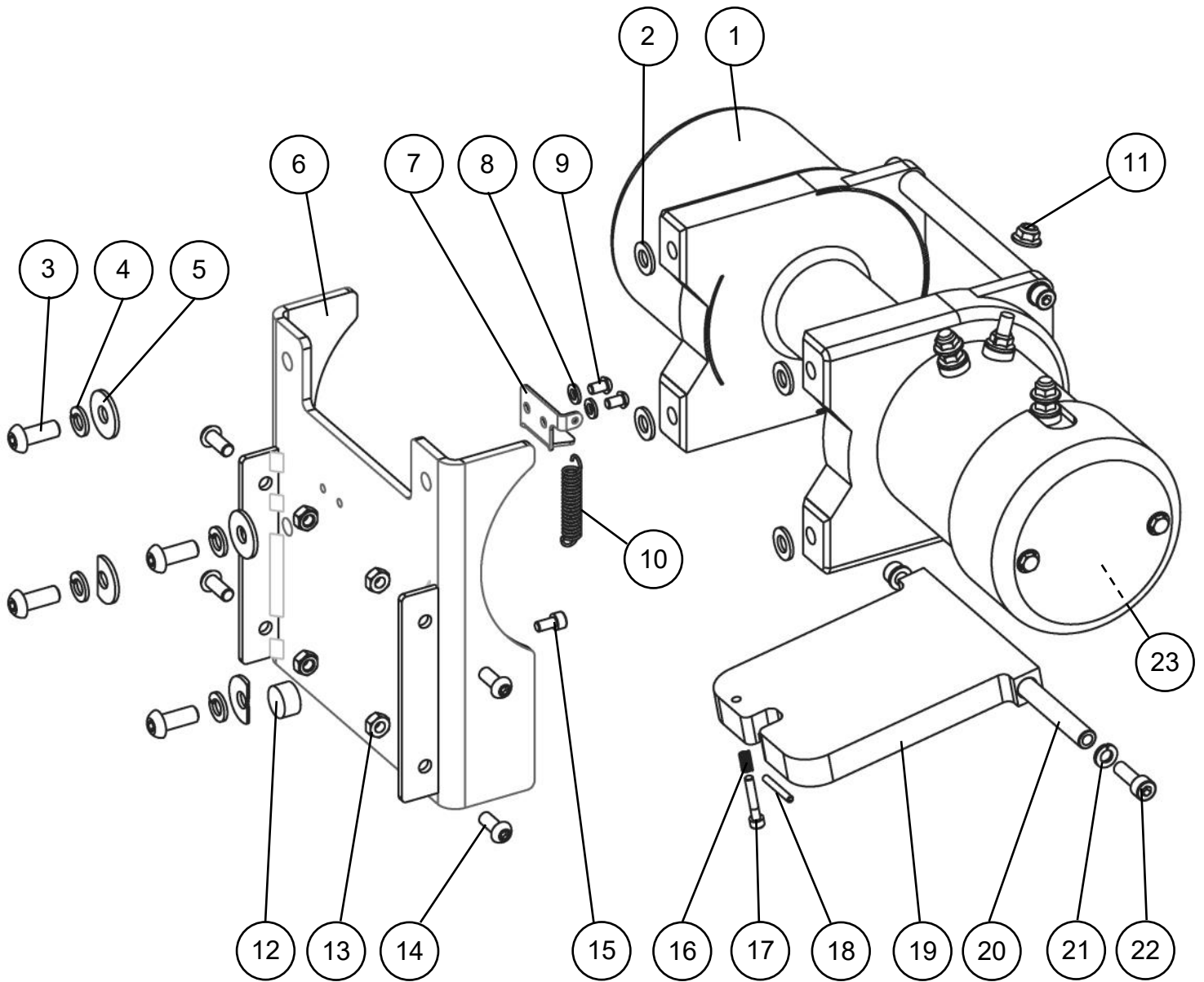
EL-501, EL-502



Bill of material: Assembly front slide bracket

Item	Part nr	Name	Qty
1	8650112	Washer M12 DIN125A	4
2	M12x35 DIN933	Bolt M12x35 DIN933	2
2	M12x35 DIN933 12,9	EL-502: Bolt M12x35 DIN933 12.9	2
3	EM86025	EL-501: Slide bracket	1
3	EM86033	EL-502: Reinforced slide bracket	1
4	M12 DIN985	Lock nut M12 DIN985	2
5	EC02007	Nut M16 fine thread DIN439B	1
6	EC90001	Lock pin without slot	1
7	EM80035	Cable guide	1
8	EC05002	Toothed ring M8 DIN6798A	2
9	EC07012	M8x20 hex socket button screw ISO7380-1	2
10	EM80036	Cable guide spindle	1
11	EC09006	Ball bearing cable guide	2
12	EC99013	Shim 16x10x1,0 DIN988	4
13	EM80037	Cable guide bracket	2
14	EC17004	Lock ring 10 mm DIN471	2

EL-501, EL-502

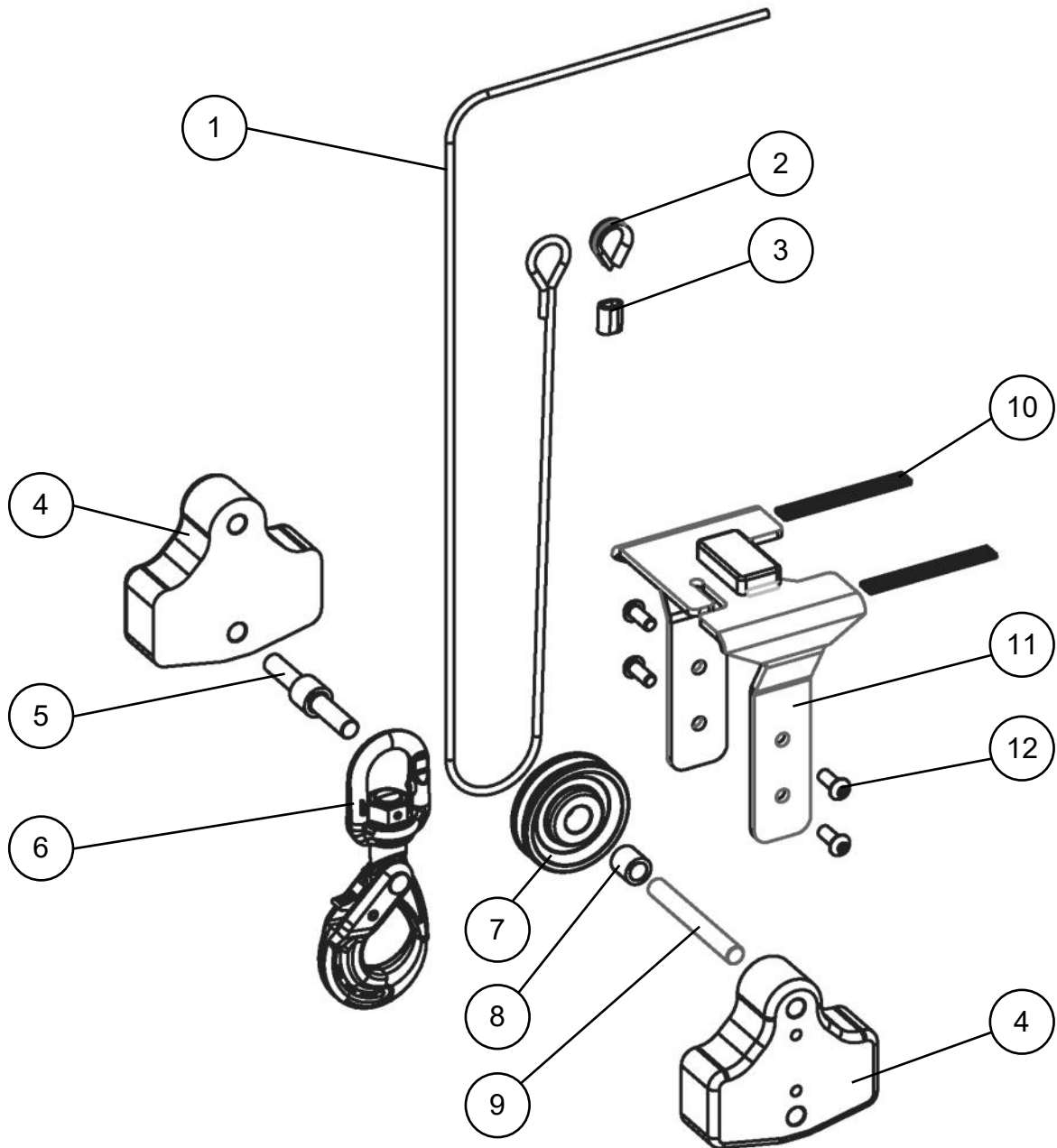


EL-501, EL-502

Bill of material: Assembly winch

Item	Part nr	Name	Qty
1	EE21005	Winch 12 VDC	1
1	EE21006	Winch 24 VDC	1
2	8740101	Washer M10 DIN125-1B	4
3	EC07020	M10x25 hex socket button screw ISO7380-1	4
4	M10 DIN127B	Spring washer M10 DIN127B	4
5	M10 DIN9021	Washer M10 DIN9021	4
6	EM80043	Front rear plate	1
7	EM80044	Bracket spring attachment	1
8	8730103	Toothed washer M6 DIN6798A	2
9	EC07013	M6x8 hex socket button screw ISO7380-1	2
10	EV10005	Pull spring for flap lowering shut-off	1
11	TC91001	Flange nut M8 DIN6923	8
12	EX82011	Rubber buffer 20x11 e m6 in EL-501	1
12	EX82001	Rubber buffer 20x15 e m6 in EL-502	1
13	M8 DIN985	Lock nut M8 DIN985	4
14	EC07012	M8x20 hex socket button screw ISO7380-1	4
15	8730102	Bout M6x12 Allen DIN912	1
16	EV10003	Pressure spring for flap lowering shut-off	1
17	TC07003	Bout M5x30 Allen DIN912	1
18	EC08010	Pin 4x30 ISO8750	1
19	EK80020	Flap descent shut-off (type 2)	1
20	EM80042	Spindle for flap descent shut-off	1
21	M8 DIN127B	Spring washer M8 DIN127B (incl. in winch)	4
22	On request	Bolt M8x25 DIN912 (incl. in winch)	4
23	On request	Carbon brush set	1

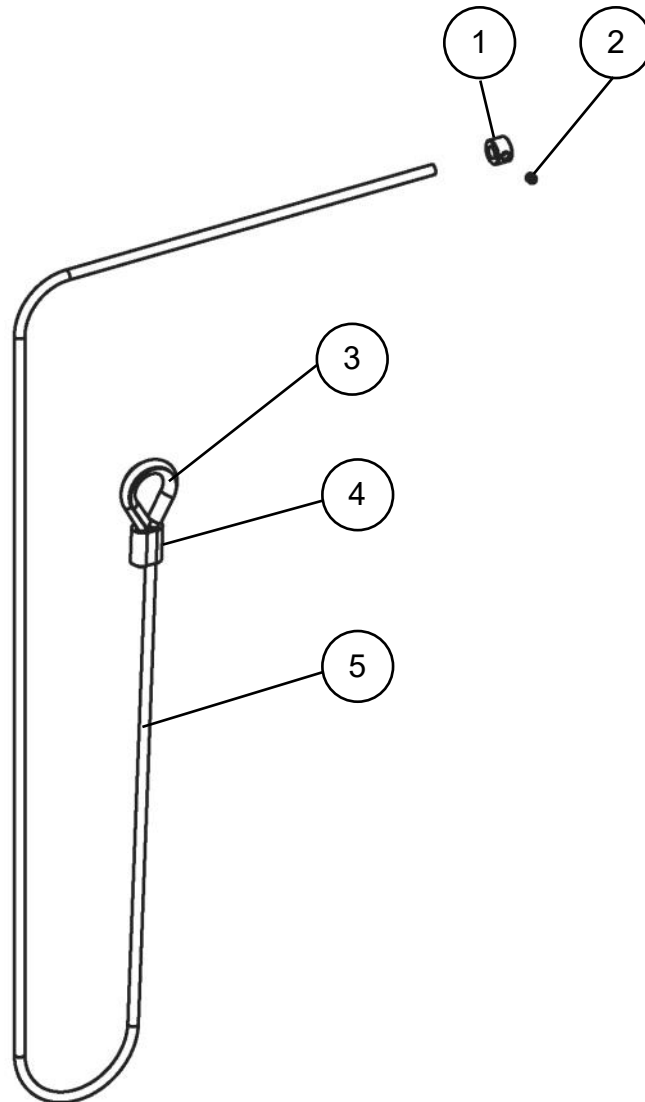
EL-501, EL-502



Bill of material: Assembly hoist cable (10,25 m) 500 kg

Item	Part nr	Name	Qty
1, 2, 3	various	Assembled hoist cable	See page 27
1	EX80001	Steel cable 5 mm	10.25 m
2	EX80005	Cable insert 5 mm	1
3	EX80003	Crimp clamp aluminium 5 mm	1
4	EM82027	Hoist block weight	2
5	EM82031	Hoisting hook wheel spindle	1
6	EX82010	Hoisting hook red / yellow swivel 500 kg	1
7	EM82030	Cable wheel	1
8	EC09004	Glide bearing bronze	1
9	EM82029	Cable wheel spindle	1
10	ER90003	Rubber mat for lifting block	2
11	EM82028	Hoist bracket 500 kg	1
12	EC07012	M8x20 hex socket button screw	4

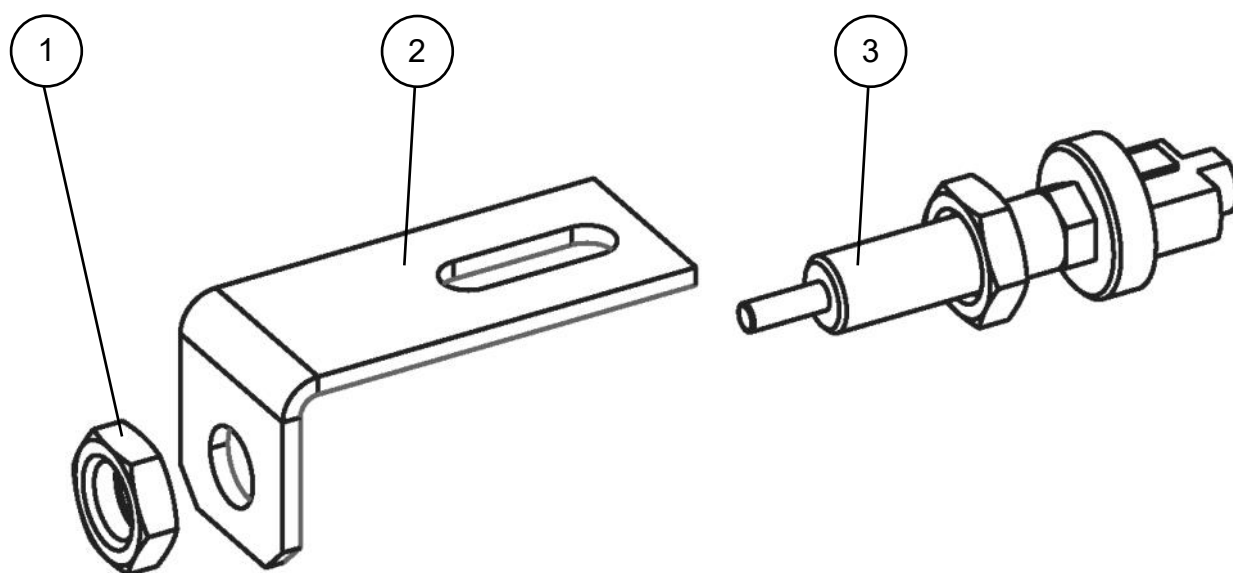
EL-501, EL-502



Bill of material: Assembled hoist cable

Item	Part nr	Name	Qty
1,2,3,4,5	EX80017	Assembled hoist cable EL-501, EL-502	1
1	EC20013	Clamp hoist cable	1
2	8730107	Adjustment screw M4x6 DIN914	1
3	EX80005	Cable insert 5 mm	1
4	EX80003	Crimp clamp aluminium 5 mm	1
5	EX80016	Hoist cable steel 5 mm x 10.25 m	10.25 m

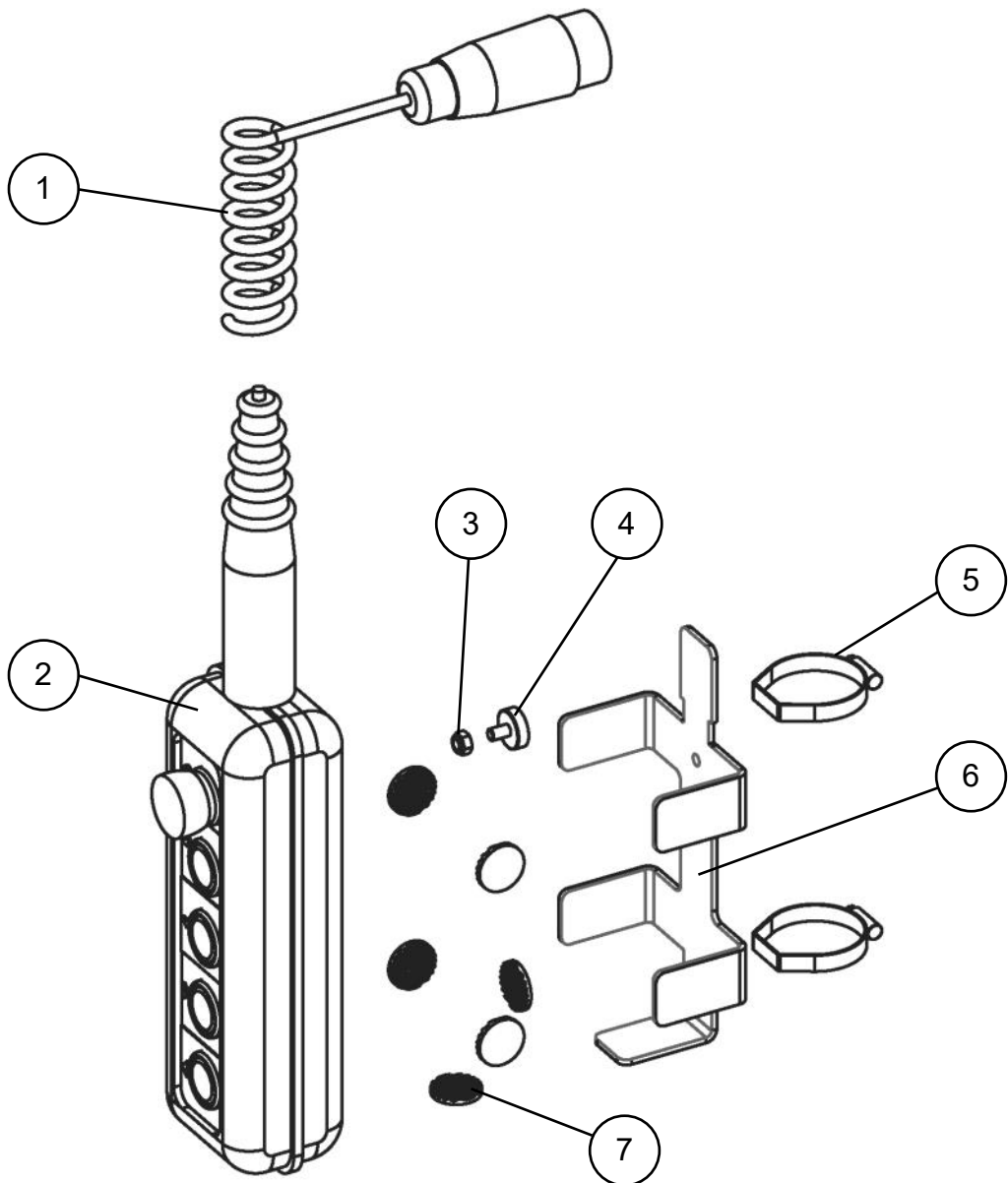
EL-501, EL-502



Bill of material: Assembly door switch

Item	Part nr	Name	Qty
1	EC02005	Low nut M12 MF DIN439 2	1
2	EM90001	Bracket door switch	1
3	EE01005	Interrupter switch, plastic nut included	1

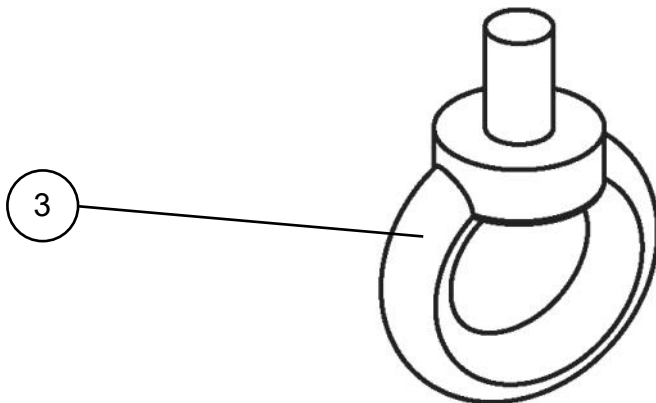
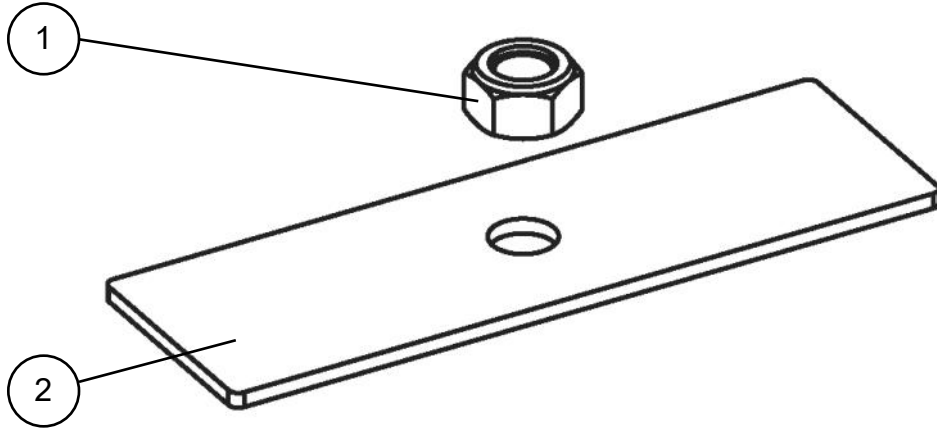
EL-501, EL-502



Bill of material: Assembly controller

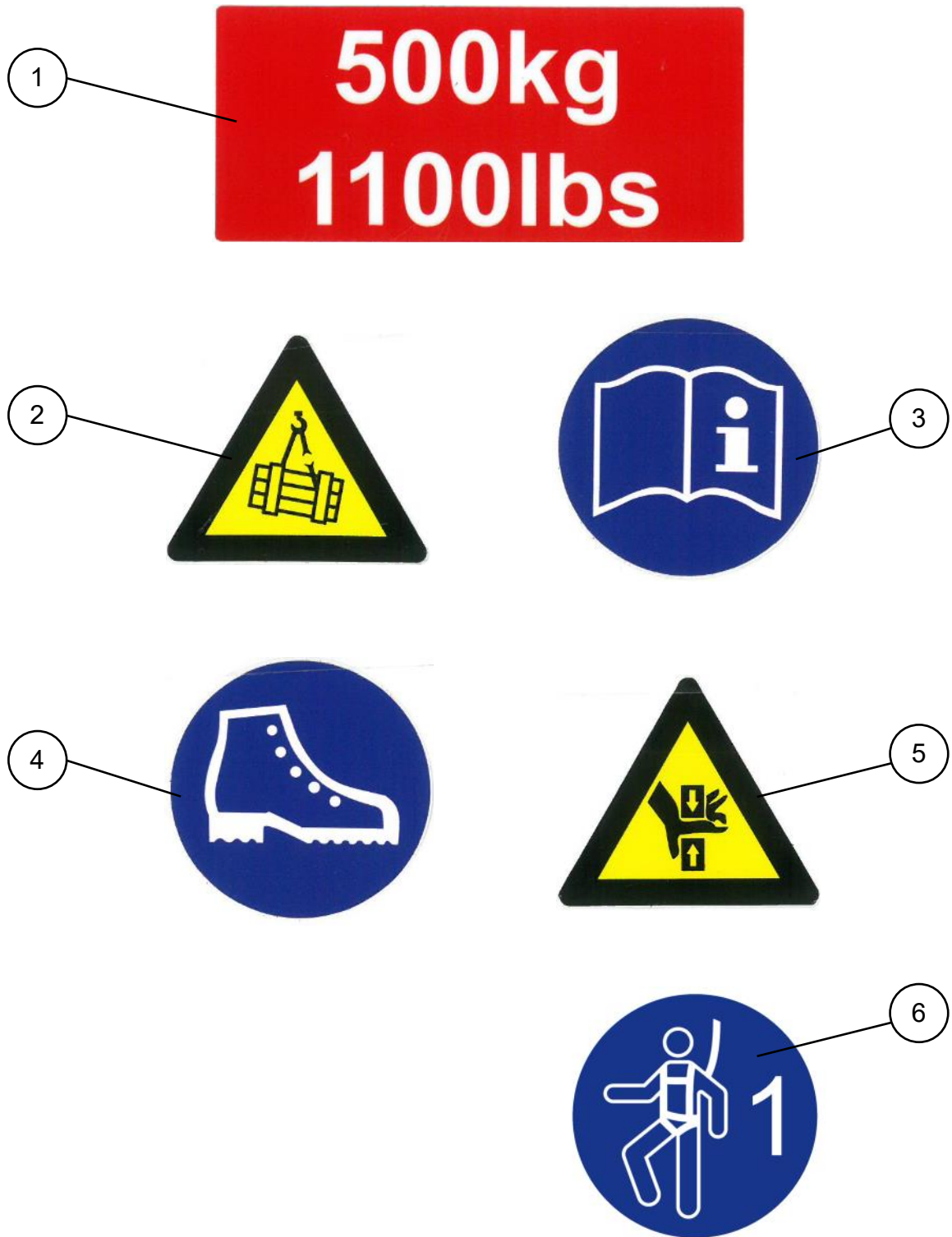
Item	Part nr	Name	Qty
1,2,3,4	EM86009	Controller	1
1	EE08006	Wire loom controller (electr.)	1
2	EE01004	Controller without wire loom	1
3	8730113	Lock nut M6 Din985	1
4	TX50100	Magnet	1
5	EC20014	Hose clamp 50-65 mm	2
6	EM86004	Bracket for controller	1
7	ER90001	Rubber adhesive for controller	6

EL-502



Bill of material: Assembly

Item	Part nr	Name	Qty
1	M12 DIN985	Lock nut DIN985	1
2	EM82034	Reinforcement bracket	1
3	M12 DIN580	Eye bolt M12 C15E	1



Bill of material: Labels

Item	Part nr	Name	Qty
1	ES80007	Sticker "500 kg / 1100 lbs" max. hoisting load	2
2	ES80003	Sticker "suspended load"	2
3	ES80004	Sticker "manual"	2
4	ES80005	Sticker "safety shoes"	2
5	ES80009	Sticker "crush hazard"	2
6	ES80017	EL-502: Sticker "Fall protection 1 person"	2

MAD

Wiltonstraat 53
3905 KW Veenendaal
The Netherlands

T +31 (0) 318 586 100

mad-automotive.com



Loading
Systems