



## Installation Instructions

## KIT5 - Mounting Kit

### JBZ105 Refuse Tandem Fenders

The function of these mounting brackets is to support the fenders and spread the weight it has to carry when subjected to wind traveling at high speeds and the weight of heavy snow or mud. There are many different ways of fitting fenders, but we offer commonly used methods and recommendations to make the fender last longer and keep their shape.

The Double Tandem Fenders should be fitted with at least three supports per side.

### Contents



(6) JS43C



(4) Clamps



(8) XPF38 (2 packages of 4)



(4) 1/4" x 20" x 1" Bolts  
(4) 1/4" x 20" x 1-1/2" Bolts  
(8) 1/4" x 20" Nylon Nuts

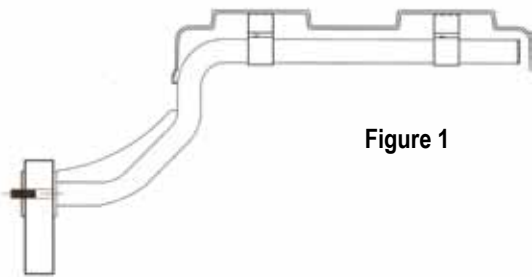


Figure 1

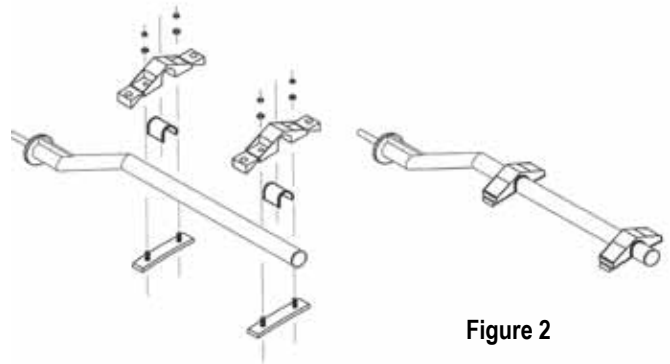


Figure 2

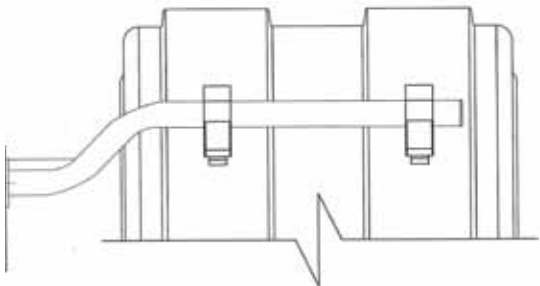


Figure 3

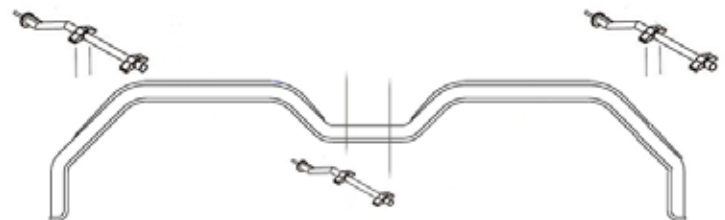


Figure 4